

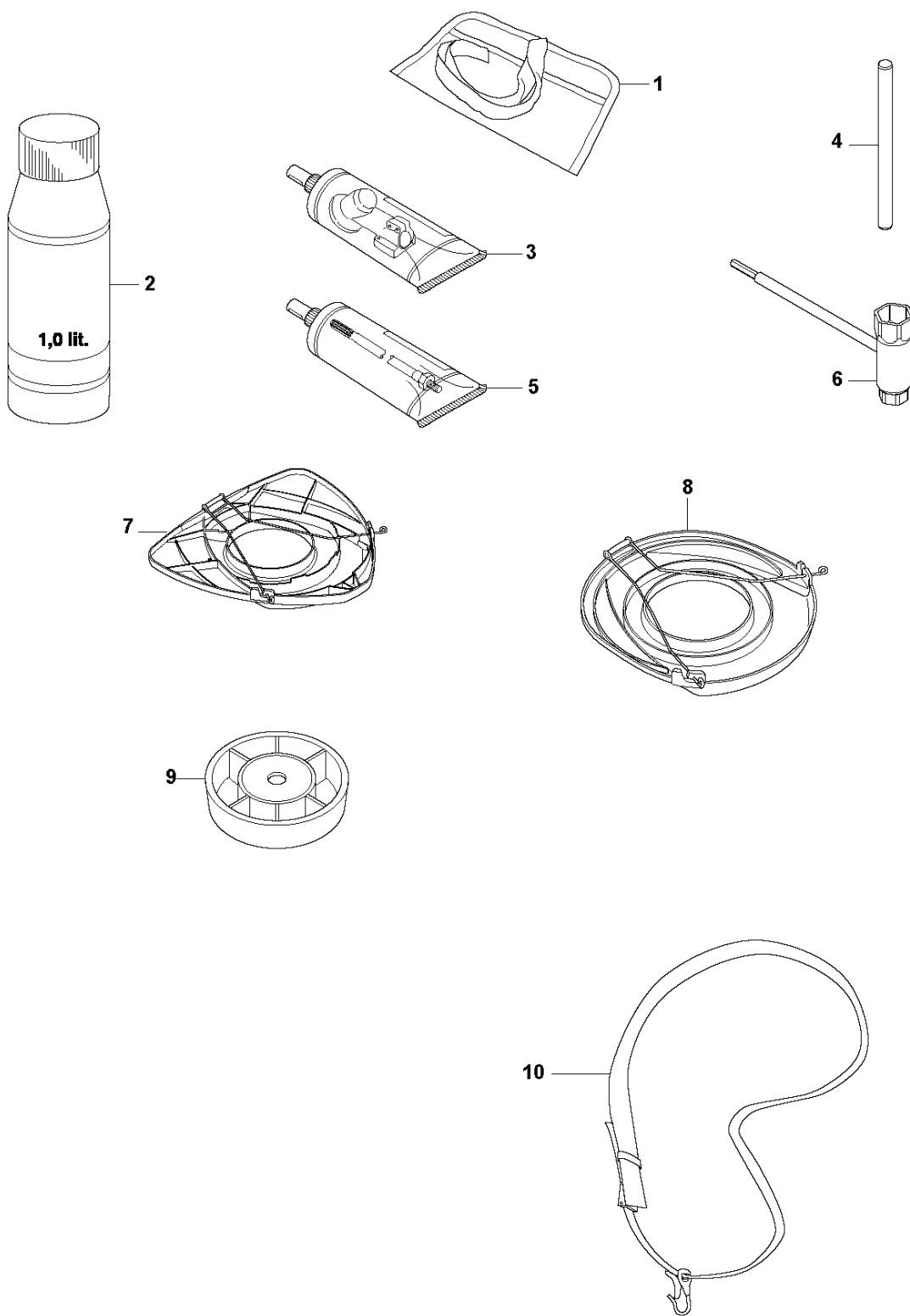


# SPARE PARTS LIST

BRUSHCUTTERS/CLEARING SAWS

333 RJ, 2013-06

**U** 333R, 333RJ  
335FR, 335LS, 335Lx, 335RJx, 335Rx.  
ACCESSORIES

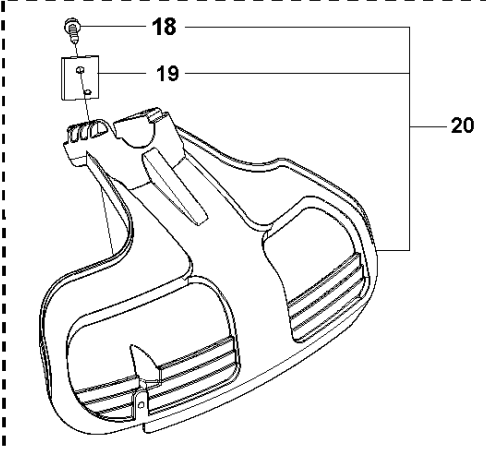
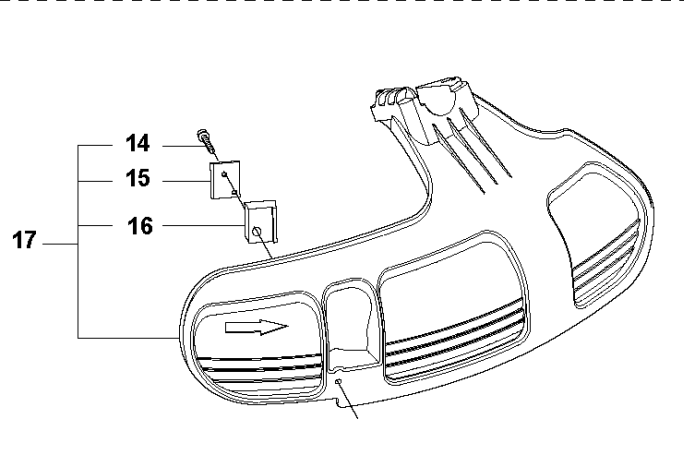
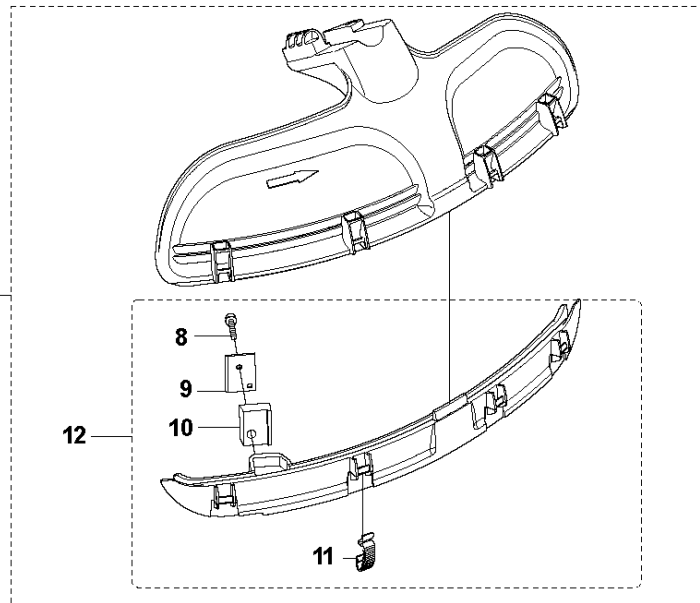
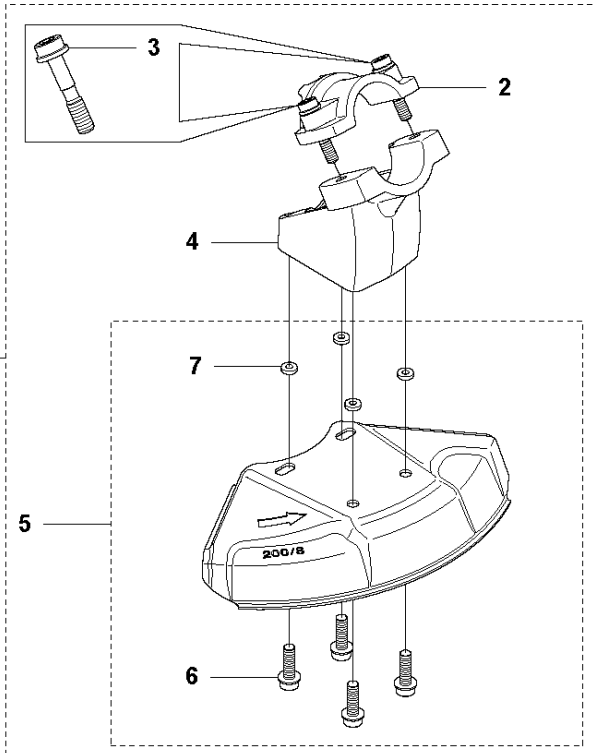


## ACCESSORIES

333 RJ, 2013-06

| Ref | Part no.     | Description        | Remark        | Qty | Kit |
|-----|--------------|--------------------|---------------|-----|-----|
| 1   | 501 19 22-01 | TOOL CASING        |               | 1   |     |
| 2   | 531 00 92-48 | FILTER OIL         | Oil Airfilter | 1   |     |
| 3   | 503 97 64-01 | GREASE             |               | 1   |     |
| 4   | 502 28 59-01 | STOP               |               | 1   |     |
| 5   | 503 80 17-01 | GREASE             |               | 1   |     |
| 6   | 537 36 21-01 | COMBINATION WRENCH |               | 1   |     |
| 7   | 544 35 91-01 | TRANSPORT GUARD    |               | 1   |     |
| 8   | 537 31 29-01 | TRANSPORT GUARD    | 200-275 mm    | 1   |     |
| 9   | 503 89 01-02 | SUPPORT CUP        |               | 1   |     |
| 10  | 537 21 62-01 | HARNESS            |               | 1   |     |
| 10  | 537 21 62-02 | HARNESS            | USA           | 1   |     |

**T** 333R, 333RJ  
335FR, 335LS, 335Lx, 335RJx, 335Rx.  
ACCESSORIES

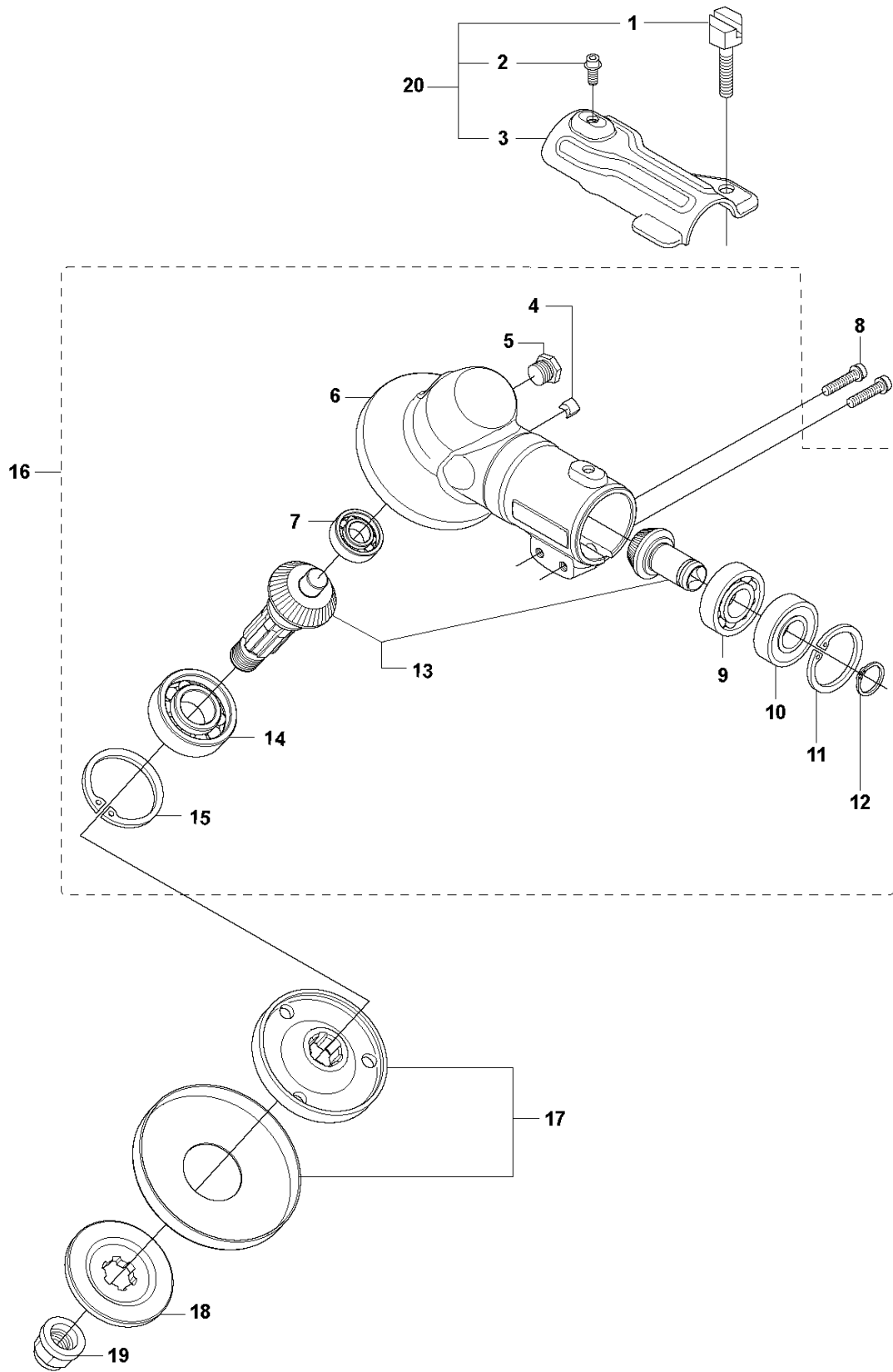


## ACCESSORIES

333 RJ, 2013-06

| Ref | Part no.     | Description        | Remark                            | Qty | Kit  |
|-----|--------------|--------------------|-----------------------------------|-----|------|
| 1   | 501 32 04-02 | SAW BLADE GUARD    | Incl. Pos. 2-7                    | 1   |      |
| 2   | 574 53 06-01 | CLAMP              | Spare part incl. Screws<br>Pos. 3 | 1   | 1    |
| 3   | 573 99 43-04 | SCREW IHSCFMO      | Captive Screw M5                  | 2   | 1, 2 |
| 4   | 501 32 08-01 | ADAPTER            |                                   | 1   | 1    |
| 5   | 574 53 26-01 | BLADE GUARD        | Incl. Pos. 6-7                    | 1   | 1    |
| 6   | 503 20 02-16 | SCREW IHSCFM       |                                   | 4   | 1, 5 |
| 7   | 574 03 95-01 | LOCKING NUT        |                                   | 4   | 1, 5 |
| 8   | 503 21 07-16 | SCREW IHSCFT       | 333R, 335Rx                       | 1   | 13   |
| 8   | 503 21 68-25 | SCREW IHSCFT       | 333RJ, 335RJx, 335Lx,<br>335LS    | 1   | 13   |
| 9   | 503 79 88-01 | BLADE              |                                   | 1   | 13   |
| 10  | 544 12 45-01 | RETAINER           | 33RJ, 335RJx, 335Lx,<br>335LS     | 1   | 13   |
| 11  | 537 38 72-01 | SNAP               |                                   | 4   | 13   |
| 12  | 537 39 63-01 | SPLASH GUARD       | 333R, 335Rx                       | 1   | 13   |
| 12  | 537 39 63-03 | SPLASH GUARD       | 333RJ, 335RJx, 335Lx,<br>335LS    | 1   |      |
| 13  | 537 33 16-01 | COMBI GUARD        | 333R, 335Rx                       | 1   |      |
| 13  | 537 33 16-03 | SPLASH GUARD       | 333RJ, 335Lx, 335RJx,<br>335LS    | 1   |      |
| 14  | 503 21 68-25 | SCREW IHSCFT       |                                   | 1   | 17   |
| 15  | 503 79 88-01 | BLADE              |                                   | 1   | 17   |
| 16  | 544 12 45-01 | RETAINER           |                                   | 1   | 17   |
| 17  | 537 34 94-03 | TRIMMER GUARD      |                                   | 1   |      |
| 18  | 503 21 68-25 | SCREW IHSCFT       |                                   | 1   | 20   |
| 19  | 503 79 88-01 | BLADE              |                                   | 1   | 20   |
| 20  | 502 44 81-01 | TRIMMER GUARD ASSY |                                   | 1   |      |

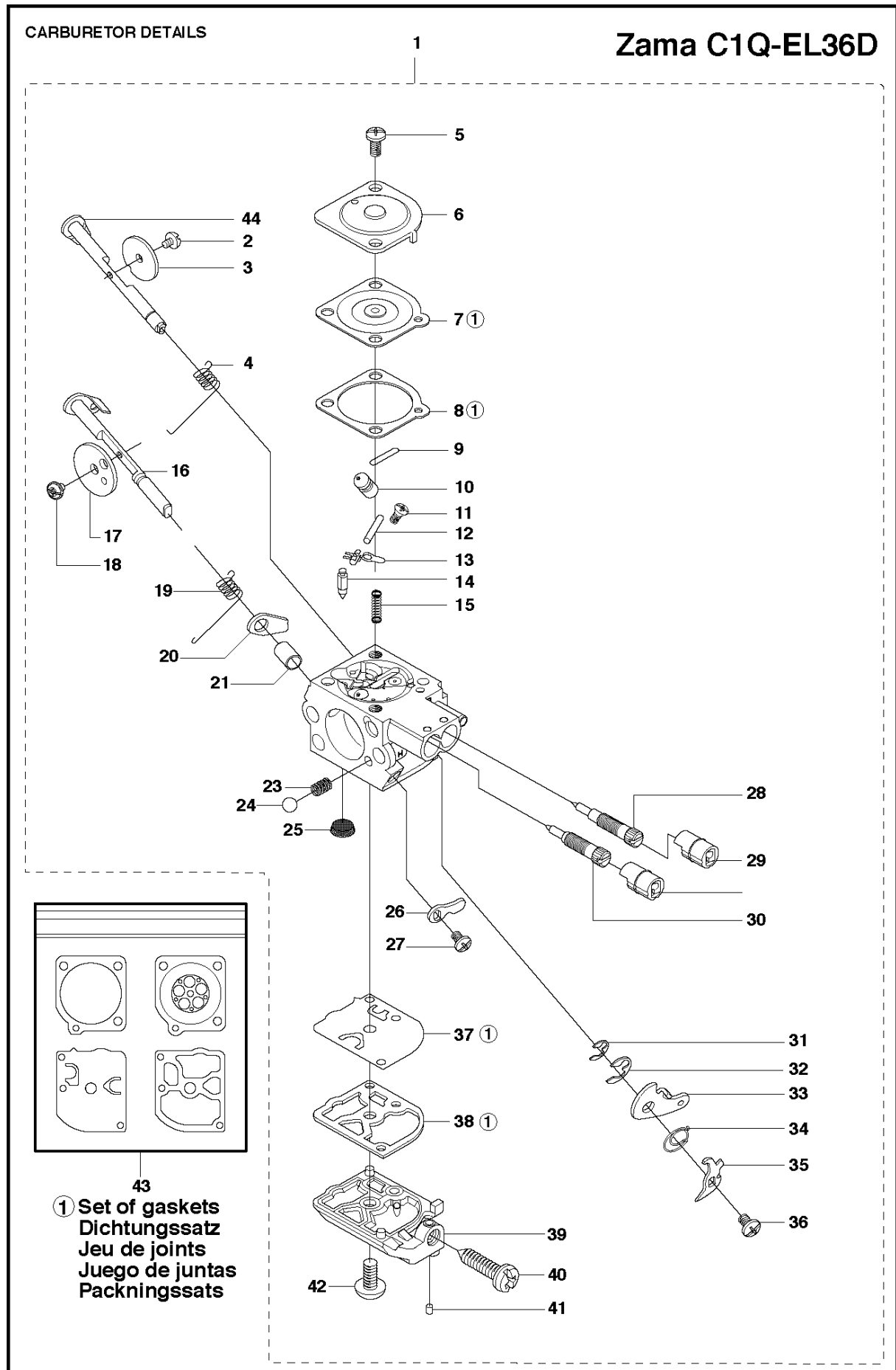
**A** 333R, 333RJ  
335FR, 335LS, 335Lx, 335RJx, 335Rx.  
BEVEL GEAR



## BEVEL GEAR

333 RJ, 2013-06

| Ref | Part no.     | Description     | Remark                         | Qty | Kit |
|-----|--------------|-----------------|--------------------------------|-----|-----|
| 1   | 537 18 95-01 | SCREW           |                                | 1   | 20  |
| 2   | 503 20 02-10 | SCREW IHSCFM    |                                | 1   | 20  |
| 3   | 544 08 76-01 | CLAMP           |                                | 1   | 20  |
| 4   | 537 14 74-01 | MAGNET          |                                | 1   | 16  |
| 5   | 503 20 15-01 | SCREW IHHM      |                                | 1   | 16  |
| 6   | 537 29 59-02 | GEAR HOUSING    |                                | 1   | 16  |
| 7   | 738 21 99-00 | BALL BEARING    |                                | 1   | 16  |
| 8   | 503 20 03-25 | SCREW IHSCFM    |                                | 2   |     |
| 9   | 738 21 01-10 | BALL BEARING    |                                | 1   | 16  |
| 10  | 738 21 01-12 | BALL BEARING    |                                | 1   | 16  |
| 11  | 735 31 28-10 | CIRCLIP         |                                | 1   | 16  |
| 12  | 735 31 14-00 | CIRCLIP         |                                | 1   | 16  |
| 13  | 505 13 33-01 | SPARE PARTS KIT | 333R, 335Rx, 335Fr             | 1   | 16  |
| 13  | 505 13 34-01 | SPARE PARTS KIT | 333RJ, 335RJx, 335Lx,<br>335LS | 1   | 16  |
| 14  | 503 25 28-01 | BALL BEARING    |                                | 1   | 16  |
| 15  | 735 31 31-10 | CIRCLIP         |                                | 1   | 16  |
| 16  | 544 21 64-01 | GEAR            | 333R, 335Rx, 335Fr             | 1   |     |
| 16  | 537 29 58-02 | BEVEL GEAR      | 333RJ, 335RJx, 335Lx,<br>335LS | 1   |     |
| 17  | 537 35 14-01 | DRIVER          | "(1")"                         | 1   |     |
| 18  | 537 34 35-01 | SUPPORT FLANGE  |                                | 1   |     |
| 19  | 502 29 11-01 | NUT BLADE       |                                | 1   |     |
| 20  | 574 30 68-01 | CLAMP           |                                | 1   |     |

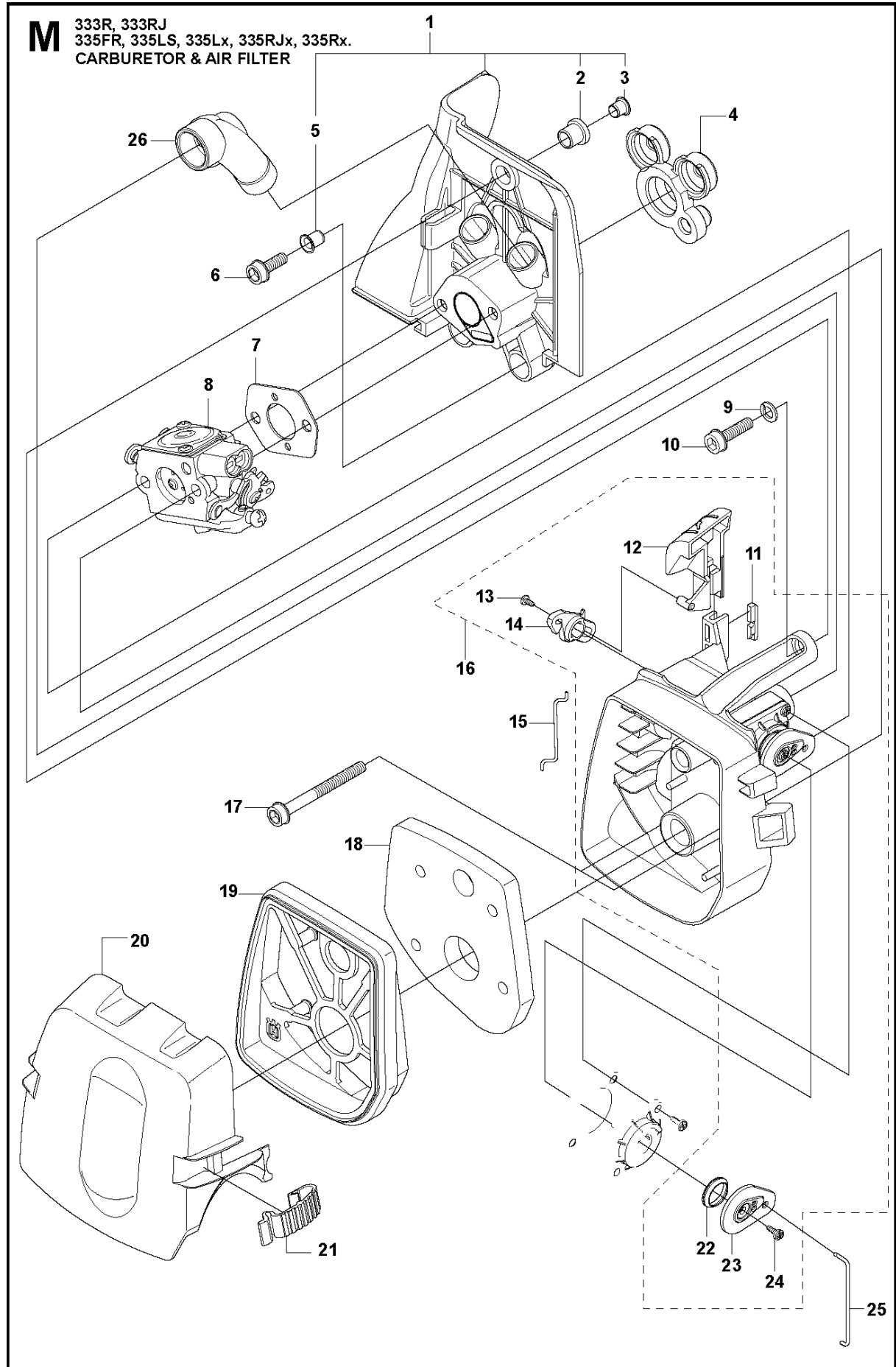




## CARBURETOR

333 RJ, 2013-06

| Ref | Part no.     | Description         | Remark | Qty | Kit   |
|-----|--------------|---------------------|--------|-----|-------|
| 1   | 581 16 75-01 | CARBURETTOR         |        | 1   |       |
| 2   | 503 47 92-01 | SCREW               |        | 1   | 1     |
| 3   | 537 41 72-01 | VALVE               |        | 1   | 1     |
| 4   | 544 37 24-01 | SPRING              |        | 1   | 1     |
| 5   | 503 48 05-01 | SCREW               |        | 2   | 1     |
| 6   | 503 97 43-01 | COVER               |        | 1   | 1     |
| 7   | 537 04 89-01 | DIAPHRAGM           |        | 1   | 1, 43 |
| 8   | 537 02 04-01 | GASKET              |        | 1   | 1, 43 |
| 9   | 503 53 56-01 | PLUG WELCH          |        | 1   | 1     |
| 10  | 581 89 95-01 | MAIN NOZZLE         |        | 1   | 1     |
| 11  | 503 48 01-01 | SCREW               |        | 1   | 1     |
| 12  | 503 48 00-01 | PIN RETAINING SCREW |        | 1   | 1     |
| 13  | 503 66 59-01 | LEVER               |        | 1   | 1     |
| 14  | 503 47 97-01 | VALVE               |        | 1   | 1     |
| 15  | 503 47 81-01 | SPRING              |        | 1   | 1     |
| 16  | 544 37 22-01 | SHAFT ASSY          |        | 1   | 1     |
| 17  | 537 37 03-01 | VALVE               |        | 1   | 1     |
| 18  | 503 48 18-01 | SCREW               |        | 1   | 1     |
| 19  | 544 37 26-01 | SPRING              |        | 1   | 1     |
| 20  | 544 37 25-01 | LEVER               |        | 1   | 1     |
| 21  | 544 42 70-01 | COLLAR              |        | 1   | 1     |
| 23  | 537 01 26-01 | SPRING              |        | 1   | 1     |
| 24  | 537 01 25-01 | BALL                |        | 1   | 1     |
| 25  | 503 48 13-01 | STRAINER            |        | 1   | 1     |
| 26  | 544 37 23-01 | LEVER               |        | 1   | 1     |
| 27  | 503 47 90-01 | SCREW               |        | 1   | 1     |
| 28  | 537 41 69-01 | SCREW               |        | 1   | 1     |
| 29  | 537 41 70-01 | LIMITER CAP         |        | 2   | 1     |
| 30  | 581 89 93-01 | SCREW               |        | 1   | 1     |
| 31  | 537 38 52-01 | CLIP                |        | 1   | 1     |
| 32  | 537 38 50-01 | CLIP                |        | 1   | 1     |
| 33  | 537 41 73-01 | LEVER               |        | 1   | 1     |
| 34  | 576 74 66-01 | SPRING              |        | 1   | 1     |
| 35  | 537 41 74-01 | LEVER               |        | 1   | 1     |
| 36  | 502 07 84-01 | SCREW               |        | 1   | 1     |
| 37  | 537 02 00-01 | DIAPHRAGM PUMP      |        | 1   | 1, 43 |
| 38  | 537 02 01-01 | GASKET PUMP         |        | 1   | 1, 43 |
| 39  | 537 41 68-01 | COVER               |        | 1   | 1     |
| 40  | 537 02 07-01 | SCREW               |        | 1   | 1     |
| 41  | 503 48 11-01 | PIECE               |        | 1   | 1     |
| 42  | 503 47 96-01 | SCREW               |        | 1   | 1     |
| 43  | 531 00 45-52 | GASKET KIT          |        | 1   |       |
| 44  | 544 37 21-01 | SHAFT ASSY          |        | 1   | 1     |

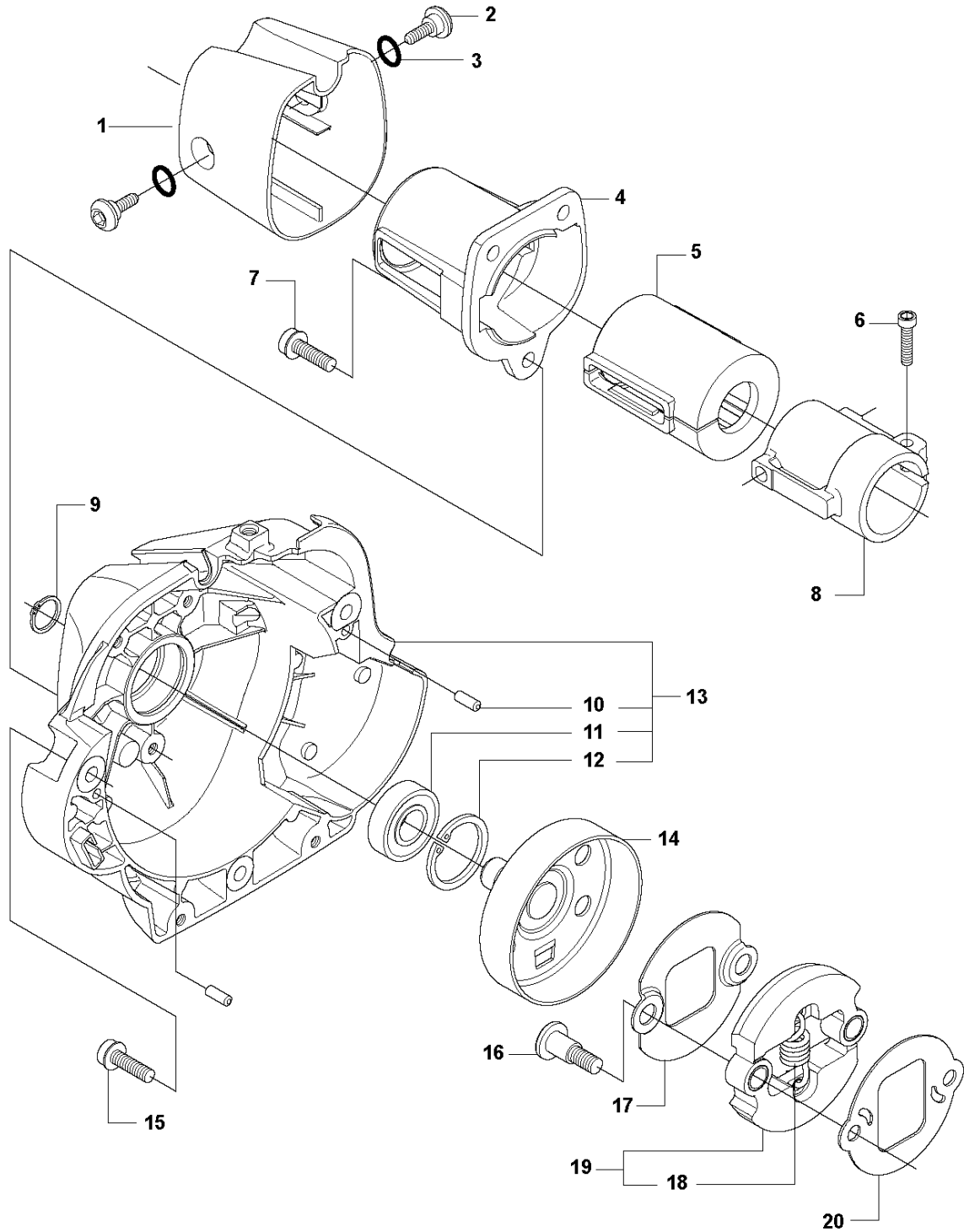


## CARBURETOR &amp; AIR FILTER

333 RJ, 2013-06

| Ref | Part no.     | Description      | Remark | Qty | Kit |
|-----|--------------|------------------|--------|-----|-----|
| 1   | 537 37 12-01 | INSULATION WALL  |        | 1   |     |
| 2   | 537 37 11-01 | SLEEVE           |        | 1   | 1   |
| 3   | 544 01 91-01 | TUBULAR RIVET    |        | 1   | 1   |
| 4   | 537 33 43-01 | INLET PIPE       |        | 1   |     |
| 5   | 537 37 38-03 | TUBULAR RIVET    |        | 2   | 1   |
| 6   | 503 20 03-16 | SCREW IHSCFM     |        | 2   |     |
| 7   | 503 49 71-01 | GASKET           |        | 1   |     |
| 8   | 581 16 75-01 | CARBURETTOR      |        | 1   |     |
| 9   | 503 23 10-06 | WASHER           |        | 1   |     |
| 10  | 503 20 03-20 | SCREW IHSCFM     |        | 1   |     |
| 11  | 544 02 58-01 | BAR              |        | 1   | 16  |
| 12  | 537 33 71-01 | CHOKE CONTROL    |        | 1   | 16  |
| 13  | 503 21 29-06 | SCREW CCRPANT    |        | 1   | 16  |
| 14  | 537 35 58-01 | LEVER            |        | 1   | 16  |
| 15  | 544 37 27-01 | SLEEVING BRACKET |        | 1   |     |
| 16  | 537 31 41-01 | FILTER HOLDER    |        | 1   |     |
| 17  | 503 21 75-50 | SCREW IHSCFT     |        | 2   |     |
| 18  | 537 33 72-01 | FILTER           |        | 1   |     |
| 19  | 537 31 42-01 | FRAME            |        | 1   |     |
| 20  | 537 31 44-01 | FILTER COVER     |        | 1   |     |
| 21  | 537 38 72-01 | SNAP             |        | 2   |     |
| 22  | 544 01 47-01 | BELLOWS          |        | 1   | 16  |
| 23  | 544 01 46-01 | LEVER            |        | 1   | 16  |
| 24  | 503 21 29-06 | SCREW CCRPANT    |        | 1   | 16  |
| 25  | 537 34 90-01 | LEVER            |        | 1   |     |
| 26  | 537 34 13-01 | AIR DUCT         |        | 1   |     |

**G** 333R, 333RJ  
335FR, 335LS, 335Lx, 335RJx, 335Rx.  
CLUTCH & CLUTCH COVER

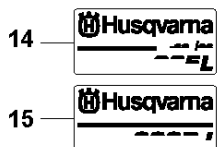
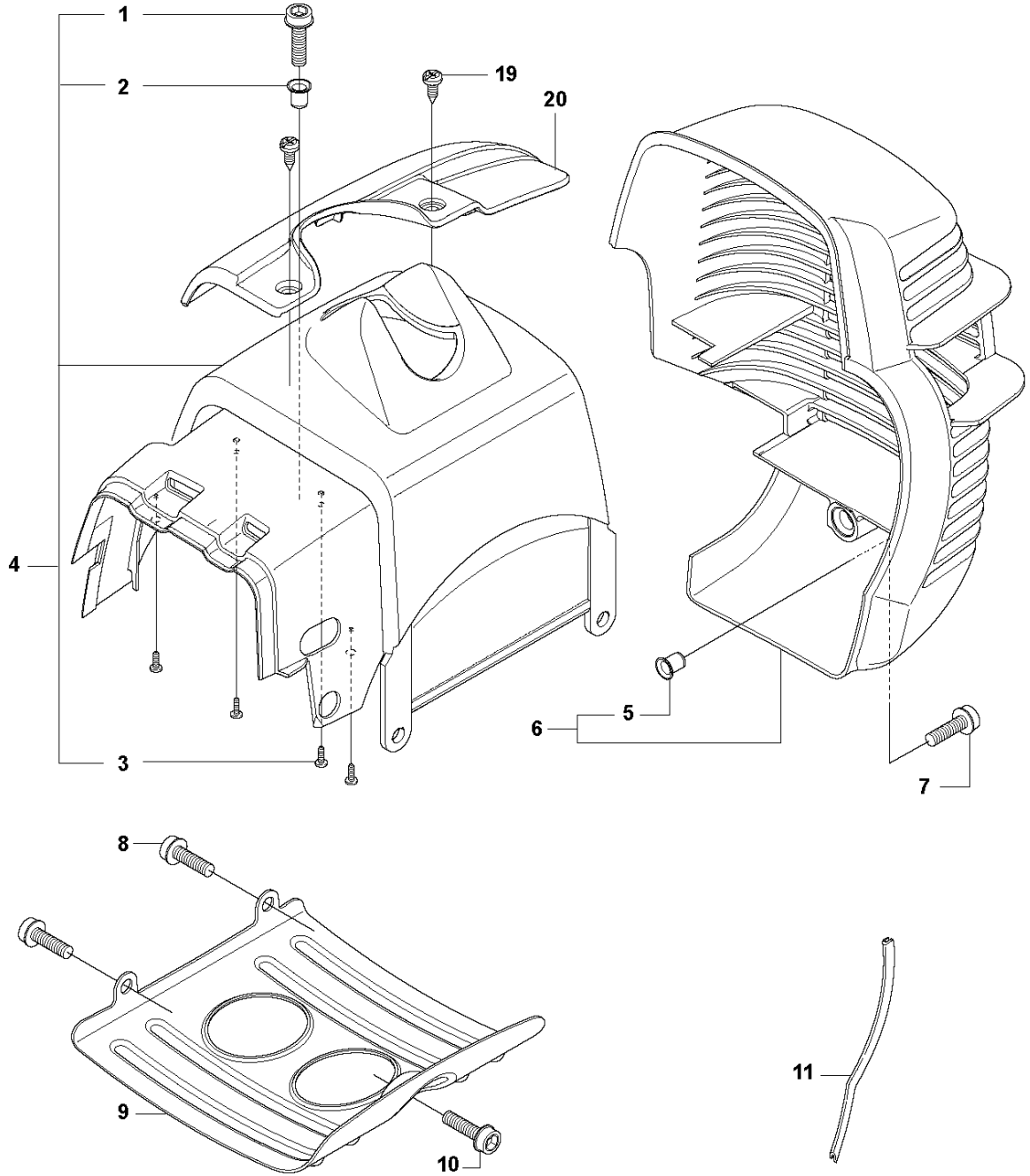


## CLUTCH

333 RJ, 2013-06

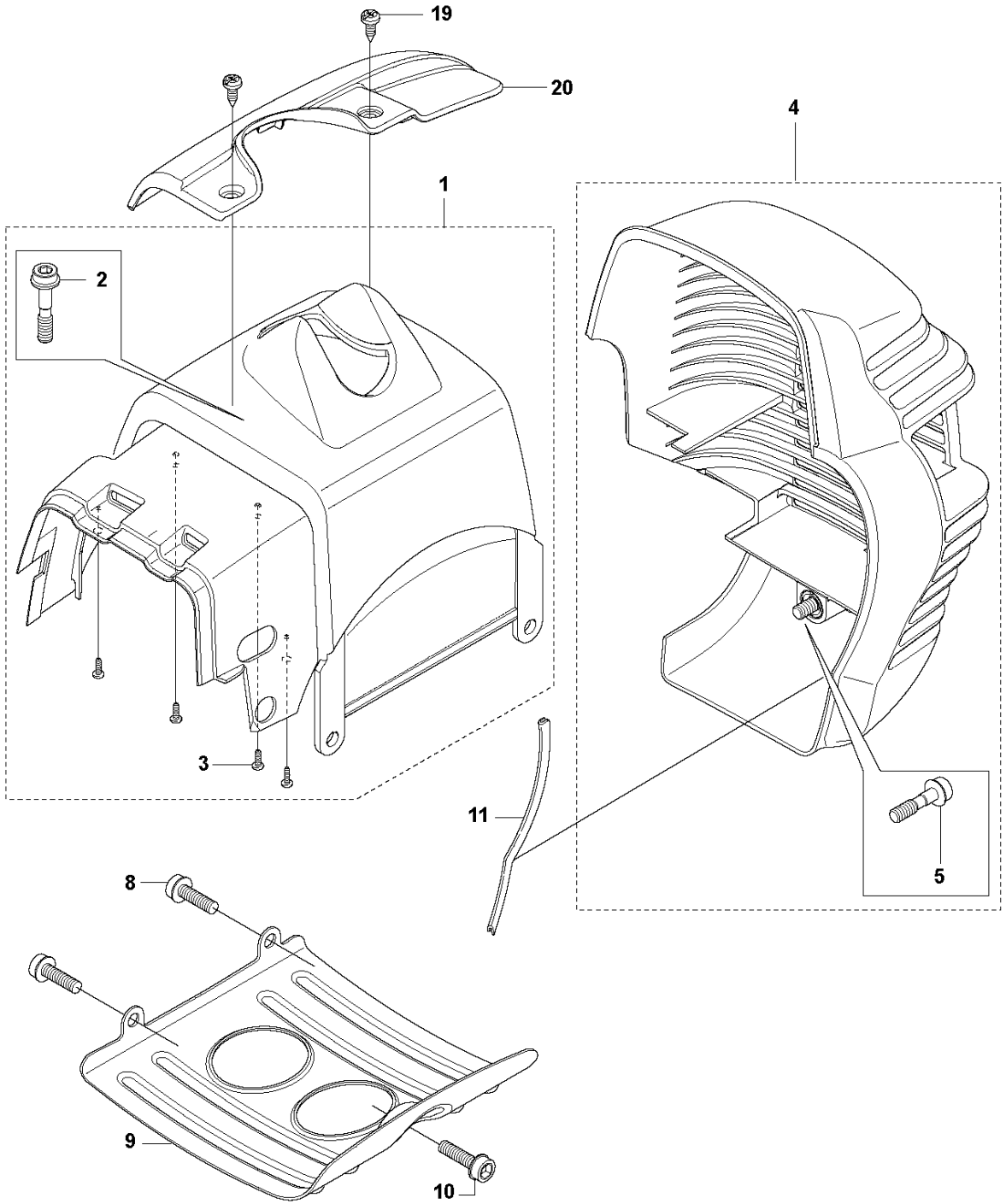
| Ref | Part no.     | Description           | Remark                         | Qty | Kit |
|-----|--------------|-----------------------|--------------------------------|-----|-----|
| 1   | 544 11 97-01 | COVER                 | 333RJ, 335RJx, 335Lx,<br>335LS | 1   |     |
| 1   | 537 32 61-01 | COVER                 | 333R, 335Rx, 335FR             | 1   |     |
| 2   | 503 96 13-01 | SCREW                 |                                | 2   |     |
| 3   | 740 42 06-00 | O-RING                |                                | 2   |     |
| 4   | 537 31 00-01 | COVER                 |                                | 1   |     |
| 5   | 537 32 27-01 | ANTIVIBRATION ELEMENT |                                | 1   |     |
| 6   | 725 53 33-55 | SCREW IHSCM           |                                | 1   |     |
| 7   | 503 20 03-20 | SCREW IHSCFM          |                                | 3   |     |
| 8   | 537 31 01-01 | COMPRESSION SLEEVE    | 333R, 335Rx, 335FR             | 1   |     |
| 8   | 537 31 01-02 | COMPRESSION SLEEVE    | 333RJ, 335RJx, 335Lx,<br>335LS | 1   |     |
| 9   | 735 31 14-00 | CIRCLIP               |                                | 1   |     |
| 10  | 503 24 07-02 | PARALLEL PIN          |                                | 2   | 13  |
| 11  | 738 21 01-04 | BALL BEARING          |                                | 1   | 13  |
| 12  | 735 31 28-10 | CIRCLIP               |                                | 1   | 13  |
| 13  | 537 30 29-01 | CLUTCH COVER          |                                | 1   |     |
| 14  | 537 35 29-01 | CLUTCH DRUM           |                                | 1   |     |
| 15  | 503 20 03-20 | SCREW IHSCFM          |                                | 3   |     |
| 16  | 537 41 81-01 | SCREW                 |                                | 2   |     |
| 17  | 537 41 57-01 | WASHER                |                                | 1   |     |
| 18  | 537 42 72-01 | SPRING                |                                | 1   | 19  |
| 19  | 537 34 04-01 | CLUTCH                |                                | 1   |     |
| 20  | 537 04 68-01 | WASHER                |                                | 1   |     |

**H1** 333R, 333RJ  
335FR, 335LS, 335Lx, 335RJx, 335Rx.  
COVERS



| Ref | Part no.     | Description      | Remark        | Qty | Kit |
|-----|--------------|------------------|---------------|-----|-----|
| 1   | 503 20 03-20 | SCREW IHSCFM     |               | 1   | 4   |
| 2   | 537 37 38-02 | TUBULAR RIVET    |               | 1   | 4   |
| 3   | 503 21 29-10 | SCREW CCRPANT    |               | 4   | 4   |
| 4   | 544 16 01-01 | CYLINDER COVER   |               | 1   |     |
| 5   | 537 37 38-03 | TUBULAR RIVET    |               | 1   | 6   |
| 6   | 537 42 51-01 | HEAT PROTECTOR   |               | 1   |     |
| 7   | 503 20 03-20 | SCREW IHSCFM     |               | 1   |     |
| 8   | 503 21 75-16 | SCREW IHSCFT     |               | 2   |     |
| 9   | 537 35 72-01 | PROTECTIVE PLATE |               | 1   |     |
| 10  | 503 21 75-16 | SCREW IHSCFT     |               | 1   |     |
| 11  | 544 02 98-01 | BAR              |               | 1   |     |
| 12  | 537 39 52-08 | LABEL            | 335LS         | 1   |     |
| 13  | 537 39 52-09 | LABEL            | 335FR         | 1   |     |
| 14  | 537 39 52-02 | LABEL            | 335Lx         | 1   |     |
| 15  | 537 39 52-03 | LABEL            | 333RJ         | 1   |     |
| 16  | 537 39 52-04 | LABEL            | 333R          | 1   |     |
| 17  | 537 39 52-05 | LABEL            | 335RJx        | 1   |     |
| 18  | 537 39 52-06 | LABEL            | 335Rx         | 1   |     |
| 19  | 503 21 35-02 | SCREW CCRPANT    | 335LS, 335RJX | 2   |     |
| 20  | 502 43 39-01 | ARM PROTECTION   |               | 1   |     |

**H2** 333R, 333RJ  
335FR, 335LS, 335Lx, 335RJx, 335Rx.  
COVERS

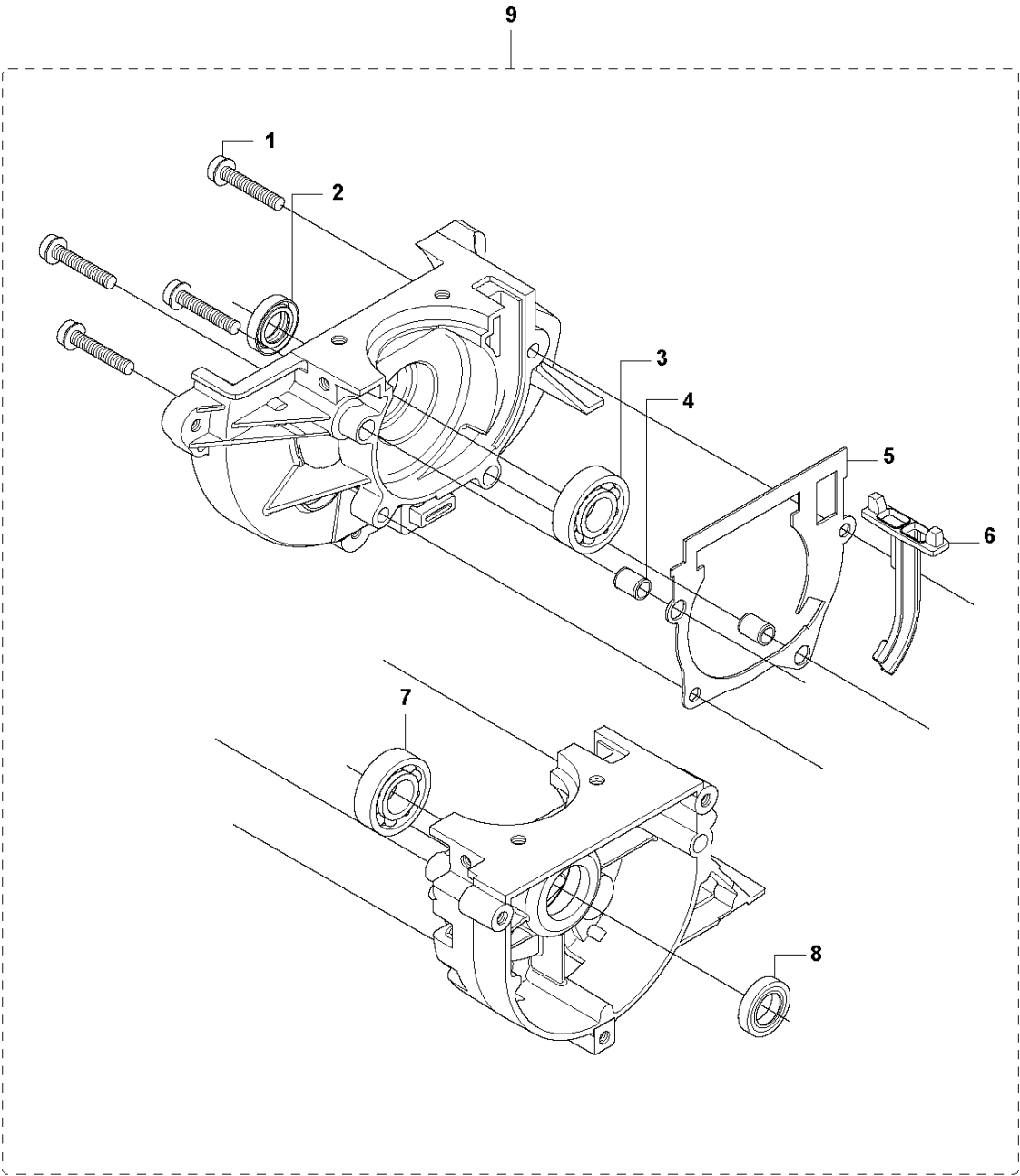


- |    |  |    |  |    |  |
|----|--|----|--|----|--|
| 12 |  | 14 |  | 16 |  |
| 13 |  | 15 |  | 17 |  |
|    |  |    |  | 18 |  |



| Ref | Part no.     | Description      | Remark         | Qty | Kit |
|-----|--------------|------------------|----------------|-----|-----|
| 1   | 544 16 01-02 | CYLINDER COVER   | Captive screws | 1   |     |
| 2   | 573 99 43-04 | SCREW IHSCFMO    | Captive screws | 1   | 1   |
| 3   | 503 21 29-10 | SCREW CCRPANT    |                | 4   | 1   |
| 4   | 537 42 51-02 | HEAT PROTECTOR   | Captive screws | 1   |     |
| 5   | 574 47 70-03 | SCREW IHSCFMO    | Captive screws | 1   | 4   |
| 8   | 503 21 75-16 | SCREW IHSCFT     |                | 2   |     |
| 9   | 537 35 72-01 | PROTECTIVE PLATE |                | 1   |     |
| 10  | 503 21 75-16 | SCREW IHSCFT     |                | 1   |     |
| 11  | 544 02 98-01 | BAR              |                | 1   |     |
| 12  | 537 39 52-08 | LABEL            | 335LS          | 1   |     |
| 13  | 537 39 52-09 | LABEL            | 335FR          | 1   |     |
| 14  | 537 39 52-02 | LABEL            | 335Lx          | 1   |     |
| 15  | 537 39 52-03 | LABEL            | 333RJ          | 1   |     |
| 16  | 537 39 52-04 | LABEL            | 333R           | 1   |     |
| 17  | 537 39 52-05 | LABEL            | 335RJx         | 1   |     |
| 18  | 537 39 52-06 | LABEL            | 335Rx          | 1   |     |
| 19  | 503 21 35-02 | SCREW CCRPANT    | 335Rx          | 2   |     |
| 20  | 502 43 39-01 | ARM PROTECTION   | 335Rx          | 1   |     |

**R** 333R, 333RJ  
335FR, 335LS, 335Lx, 335RJx, 335Rx.  
CRANK CASE

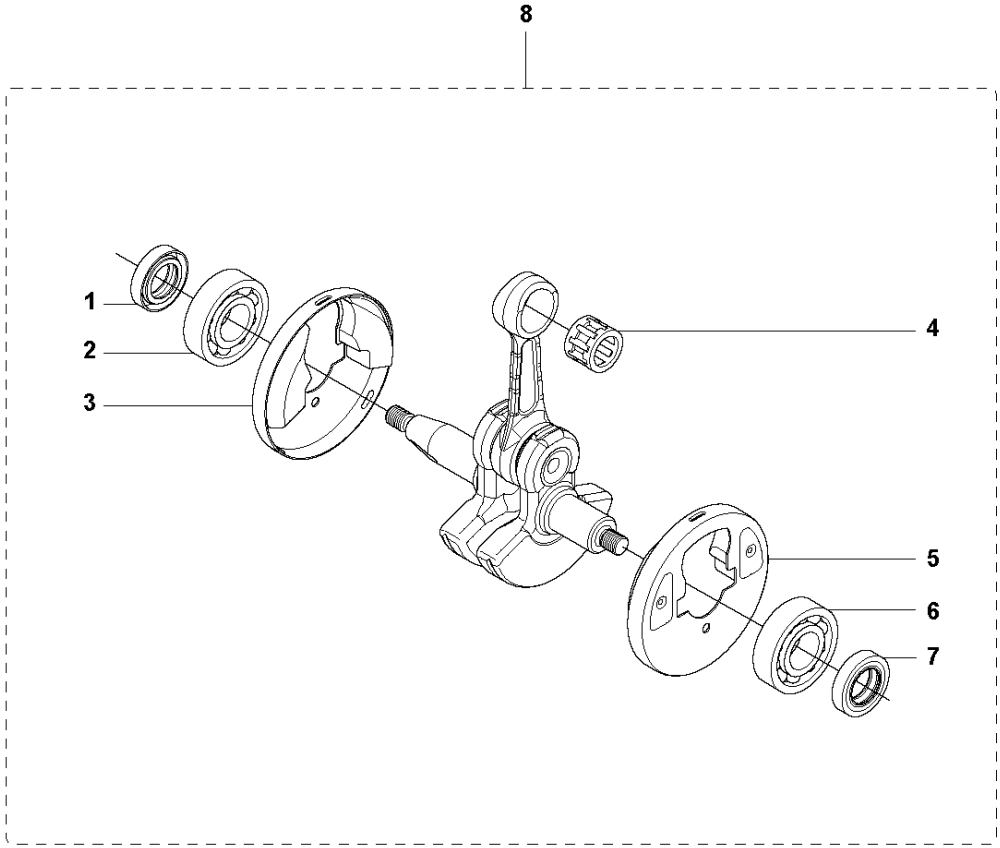


## CRANKCASE

333 RJ, 2013-06

| Ref | Part no.     | Description    | Remark | Qty | Kit |
|-----|--------------|----------------|--------|-----|-----|
| 1   | 503 20 02-30 | SCREW IHSCFM   |        | 4   | 9   |
| 2   | 503 26 02-02 | SEALING RING   |        | 1   | 9   |
| 3   | 738 21 01-10 | BALL BEARING   |        | 1   | 9   |
| 4   | 501 27 08-01 | GUIDE BUSHING  |        | 2   | 9   |
| 5   | 537 33 29-01 | GASKET         |        | 1   | 9   |
| 6   | 537 32 42-01 | INSERT         |        | 1   | 9   |
| 7   | 738 21 01-10 | BALL BEARING   |        | 1   | 9   |
| 8   | 503 26 02-02 | SEALING RING   |        | 1   | 9   |
| 9   | 544 03 89-01 | CRANKCASE ASSY |        | 1   |     |

**Q** 333R, 333RJ  
335FR, 335LS, 335Lx, 335RJx, 335Rx.  
CRANK SHAFT

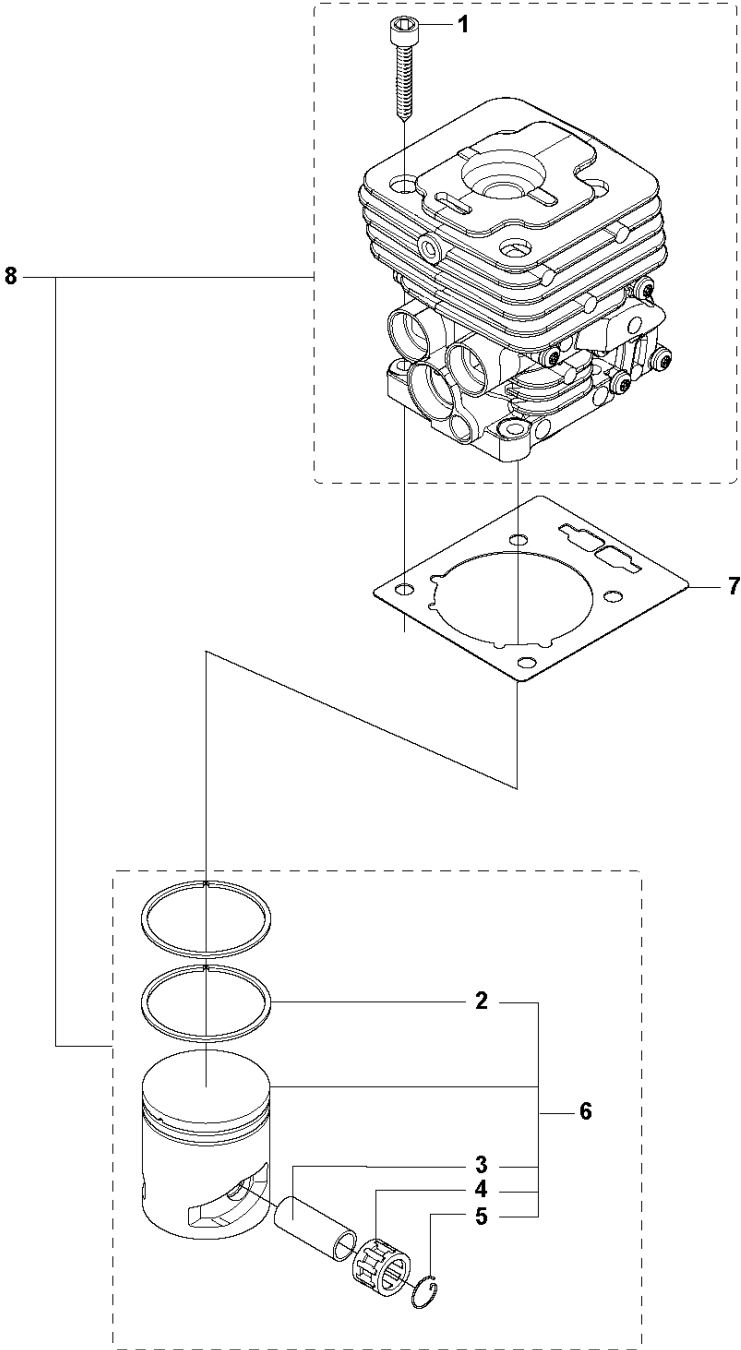


## CRANKSHAFT

333 RJ, 2013-06

| Ref | Part no.     | Description     | Remark | Qty | Kit |
|-----|--------------|-----------------|--------|-----|-----|
| 1   | 503 26 02-02 | SEALING RING    |        | 1   | 8   |
| 2   | 738 21 01-10 | BALL BEARING    |        | 1   | 8   |
| 3   | 537 29 76-01 | CUP             |        | 1   | 8   |
| 4   | 503 41 41-01 | NEEDLE BEARING  |        | 1   | 8   |
| 5   | 537 29 76-01 | CUP             |        | 1   | 8   |
| 6   | 738 21 01-10 | BALL BEARING    |        | 1   | 8   |
| 7   | 503 26 02-02 | SEALING RING    |        | 1   | 8   |
| 8   | 544 03 90-01 | CRANKSHAFT ASSY |        | 1   |     |

**P** 333R, 333RJ  
335FR, 335LS, 335Lx, 335RJx, 335Rx.  
CYLINDER PISTON

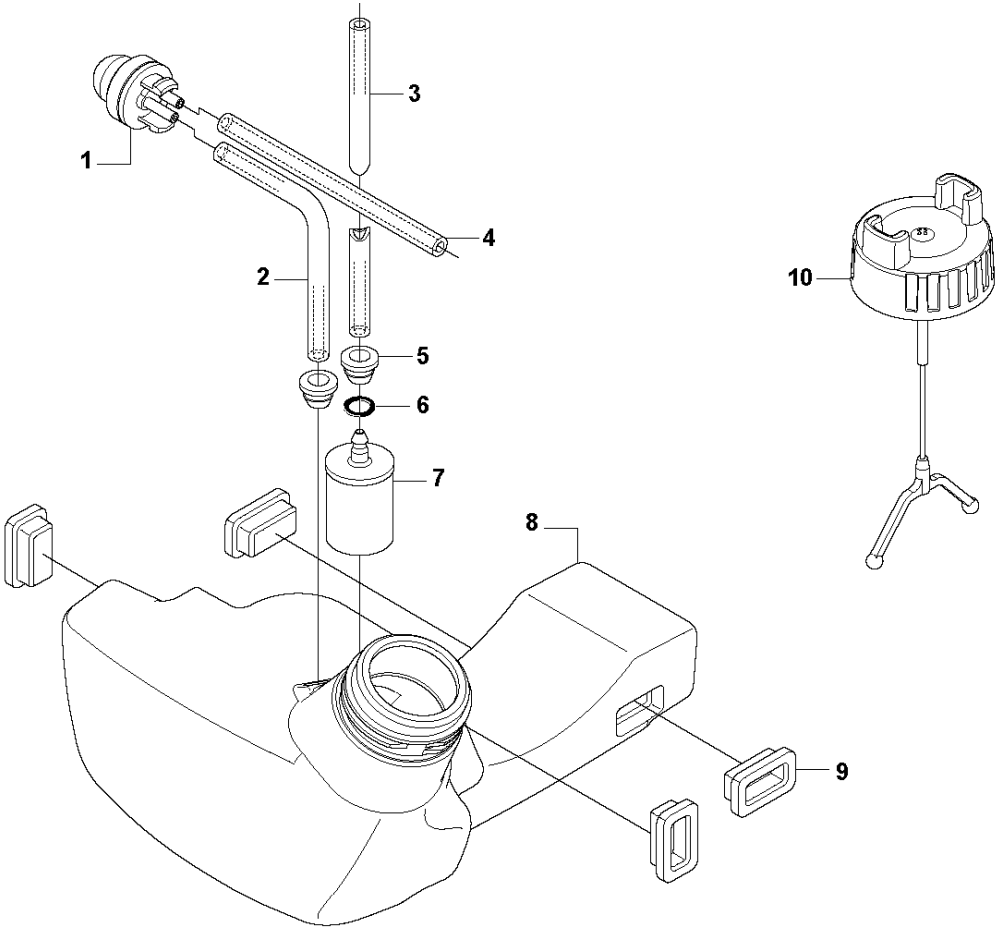


## CYLINDER PISTON

333 RJ, 2013-06

| Ref | Part no.     | Description    | Remark                 | Qty | Kit |
|-----|--------------|----------------|------------------------|-----|-----|
| 1   | 503 20 08-23 | SCREW IHSCM    |                        | 4   | 8   |
| 2   | 503 28 90-54 | PISTON RING    |                        | 2   | 6,8 |
| 3   | 503 28 91-19 | PISTON PIN     |                        | 1   | 6,8 |
| 4   | 503 41 41-01 | NEEDLE BEARING |                        | 1   | 6,8 |
| 5   | 737 44 10-00 | SNAP RING      |                        | 2   | 6,8 |
| 6   | 537 31 28-02 | PISTON         |                        | 1   | 8   |
| 7   | 537 33 30-01 | GASKET         |                        | 1   |     |
| 8   | 544 40 06-01 | CYLINDER ASSY  | Ø = 38mm. 574 36 43-01 | 1   |     |

**L** 333R, 333RJ  
335FR, 335LS, 335Lx, 335RJx, 335Rx.  
FUEL TANK

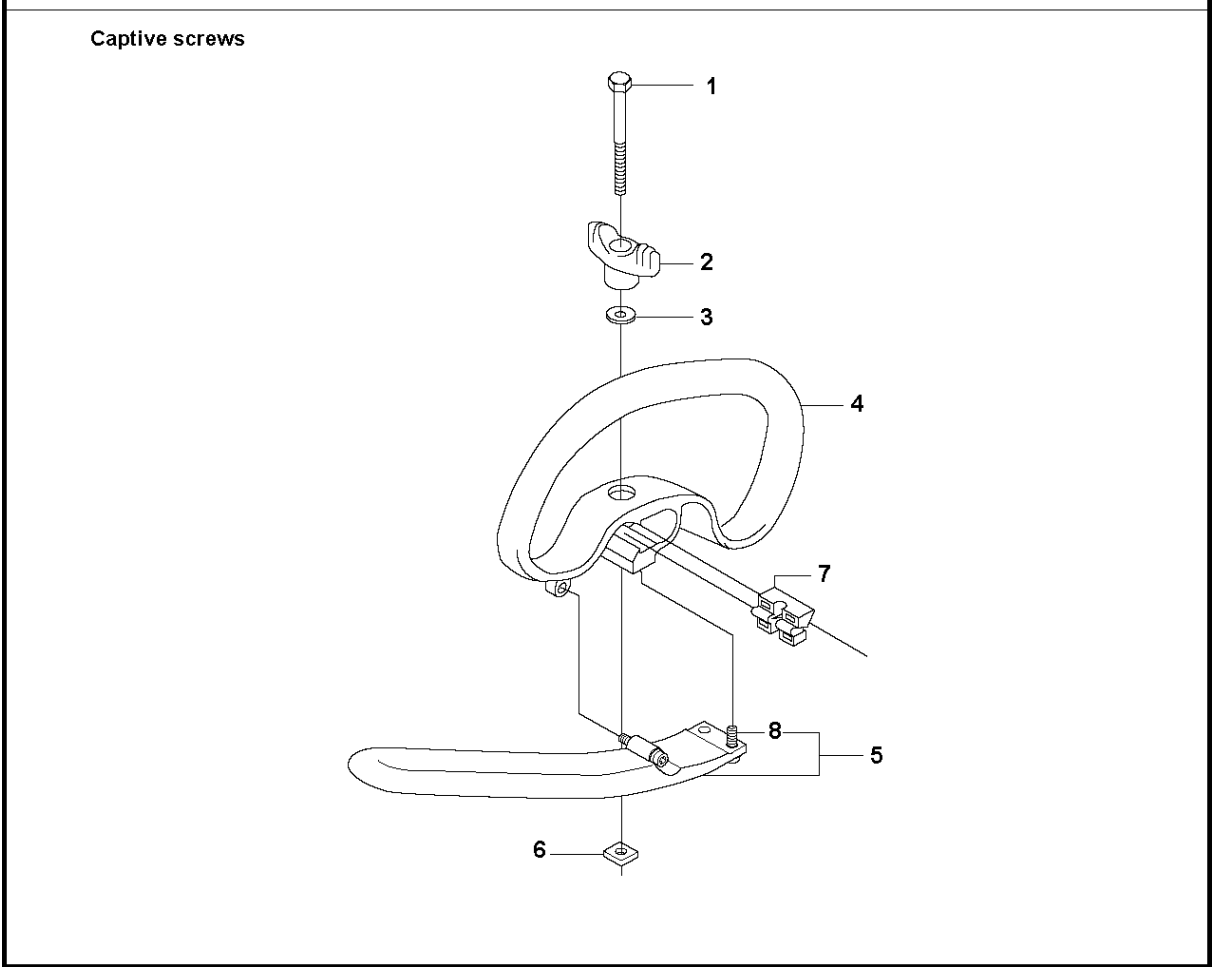




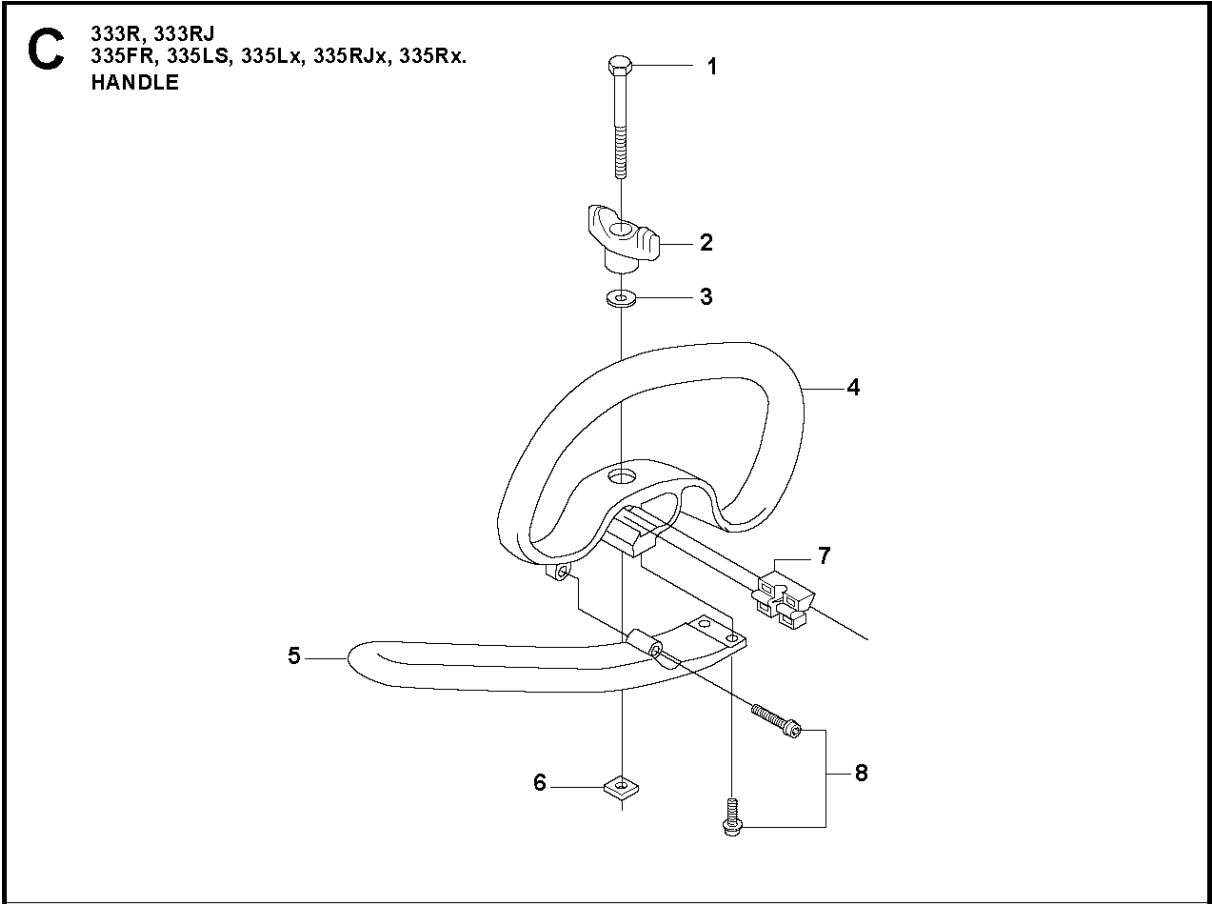
## FUEL TANK

333 RJ, 2013-06

| Ref | Part no.     | Description    | Remark | Qty | Kit |
|-----|--------------|----------------|--------|-----|-----|
| 1   | 503 93 66-01 | PRIMER HOUSING |        | 1   |     |
| 2   | 537 04 24-12 | FUEL HOSE      |        | 1   |     |
| 3   | 537 05 23-01 | FUEL HOSE      |        | 1   |     |
| 4   | 537 04 24-12 | FUEL HOSE      |        | 1   |     |
| 5   | 503 73 58-01 | BUSHING        |        | 2   |     |
| 6   | 537 18 49-01 | O-RING         |        | 1   |     |
| 7   | 503 44 32-01 | FILTER         |        | 1   |     |
| 8   | 544 32 88-01 | TANK ASSY      |        | 1   |     |
| 9   | 503 91 10-01 | SUSPENSION     |        | 4   |     |
| 10  | 503 91 18-02 | TANK CAP       |        | 1   |     |



| Ref | Part no.     | Description   | Remark         | Qty | Kit |
|-----|--------------|---------------|----------------|-----|-----|
| 1   | 725 23 78-51 | SCREW EHHM    | 33RJ, 335LS    | 1   |     |
| 1   | 725 23 80-51 | SCREW EHHM    | 335Lx, 335RJx  | 1   |     |
| 2   | 503 87 90-01 | KNOB          | 335Lx, 335RJx  | 1   |     |
| 3   | 503 23 00-61 | WASHER        | 33RJ, 335LS    | 1   |     |
| 4   | 544 10 10-04 | HANDLE.LOOP   | Captive screws | 1   |     |
| 5   | 503 99 78-01 | HANDLE.J      | Captive screws | 1   |     |
| 6   | 502 19 71-01 | SQUARE NUT    |                | 1   |     |
| 7   | 544 10 11-01 | BLOCK.SPACING |                | 1   |     |
| 8   | 574 18 15-01 | SCREW IHSCFTO | Captive screws | 3   | 5   |

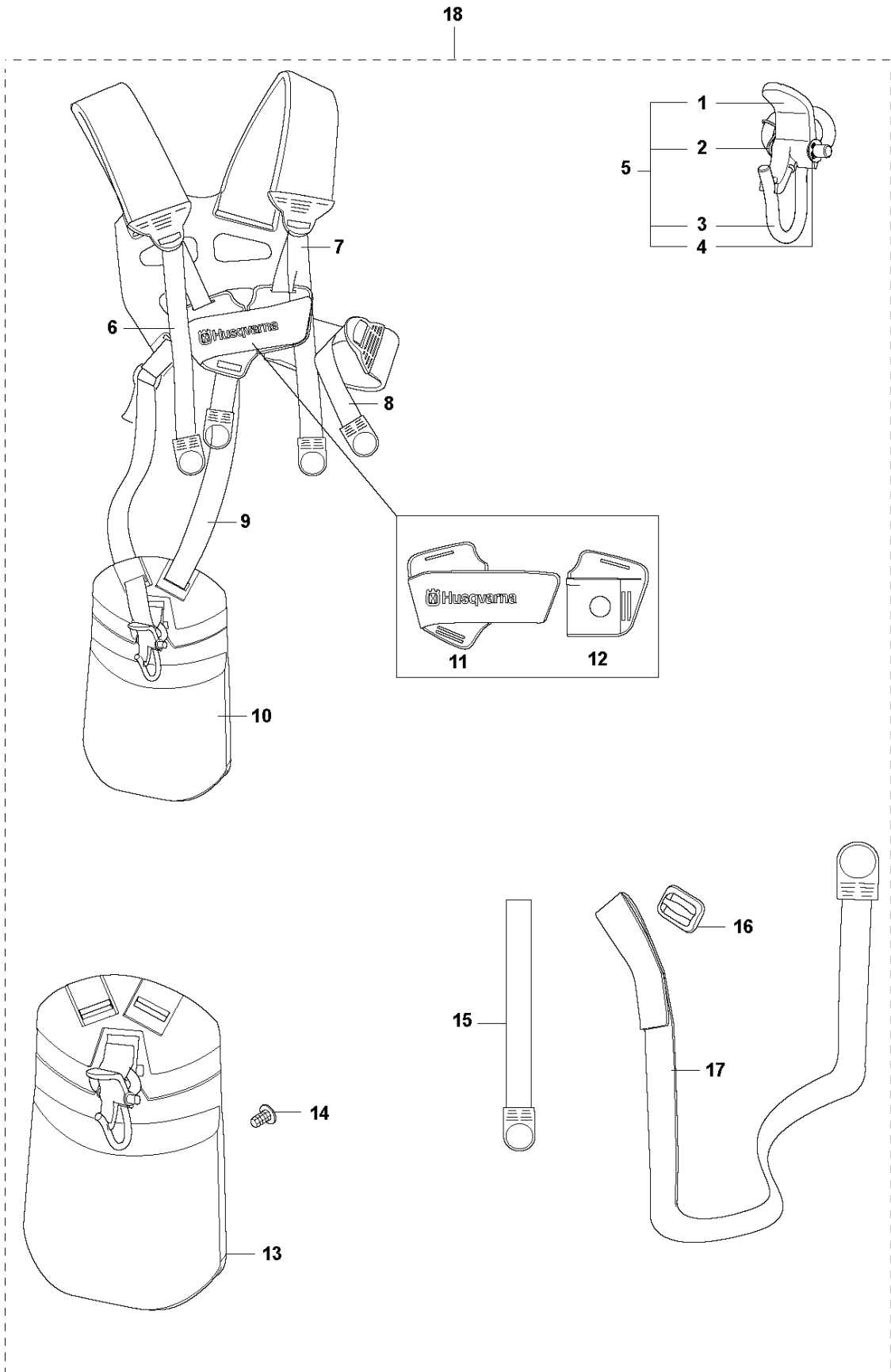


## HANDLE

333 RJ, 2013-06

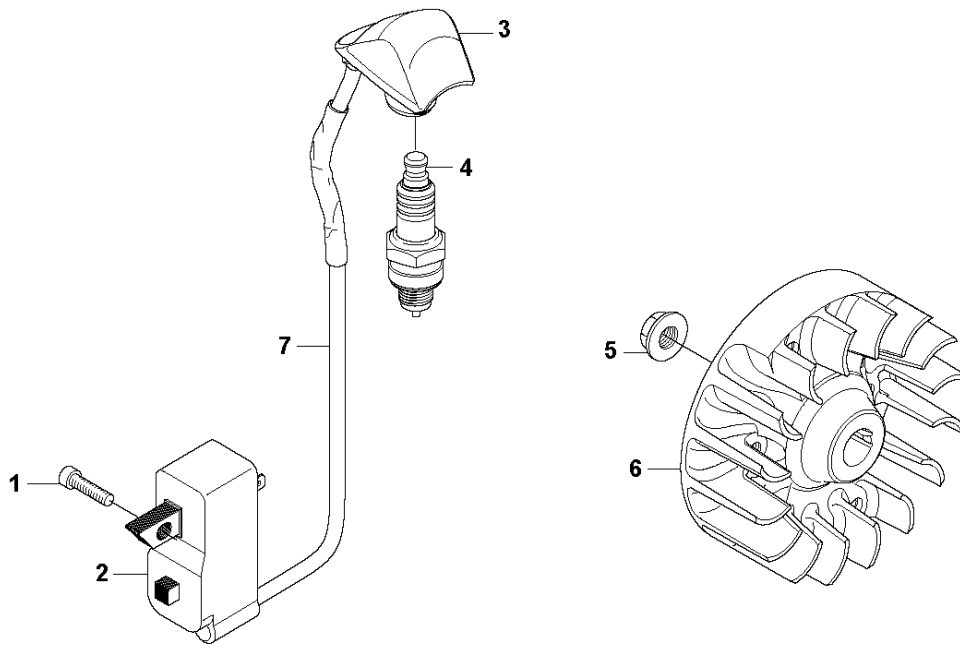
| Ref | Part no.     | Description   | Remark        | Qty | Kit |
|-----|--------------|---------------|---------------|-----|-----|
| 1   | 725 23 78-51 | SCREW EHHM    | 33RJ, 335LS   | 1   |     |
| 1   | 725 23 80-51 | SCREW EHHM    | 335Lx, 335RJx | 1   |     |
| 2   | 503 87 90-01 | KNOB          | 335Lx, 335RJx | 1   |     |
| 3   | 503 23 00-61 | WASHER        | 33RJ, 335LS   | 1   |     |
| 4   | 544 10 10-02 | HANDLE LOOP   |               | 1   |     |
| 5   | 503 99 78-01 | HANDLE.J      | 333RJ, 335RJx | 1   |     |
| 6   | 502 19 71-01 | SQUARE NUT    |               | 1   |     |
| 7   | 544 10 11-01 | BLOCK.SPACING |               | 1   |     |
| 8   | 501 21 68-16 | TBD           |               | 3   |     |

**V** 333R, 333RJ  
335FR, 335LS, 335Lx, 335RJx, 335Rx.  
HARNESS



| Ref | Part no.     | Description | Remark         | Qty | Kit |
|-----|--------------|-------------|----------------|-----|-----|
| 1   | 502 02 30-02 | LOCK        |                | 1   | 5   |
| 2   | 502 02 38-01 | SPRING      |                | 1   | 5   |
| 3   | 502 02 29-02 | HOOK        |                | 1   | 5   |
| 4   | 735 31 09-20 | E-CLIP      |                | 1   | 5   |
| 5   | 502 02 28-05 | WELT HOOK   |                | 1   |     |
| 6   | 503 99 61-01 | BAND        |                | 1   |     |
| 7   | 503 99 61-01 | BAND        |                | 1   |     |
| 8   | 503 99 61-01 | BAND        |                | 1   |     |
| 9   | 503 99 61-03 | BAND        |                | 1   |     |
| 10  | 537 27 59-01 | HIP PAD     |                | 1   |     |
| 11  | 537 28 84-01 | FRONT PIECE |                | 1   |     |
| 12  | 537 28 83-01 | FRONT PIECE |                | 1   |     |
| 13  | 537 27 59-01 | HIP PAD     |                | 1   |     |
| 14  | 537 17 54-01 | HIP PAD     |                | 3   |     |
| 15  | 503 99 61-01 | BAND        |                | 3   |     |
| 16  | 537 11 35-01 | RETAINER    |                | 1   |     |
| 17  | 503 99 61-03 | BAND        |                | 1   |     |
| 18  | 537 27 57-02 | HARNESS     | Duo Balance    | 1   |     |
| 18  | 537 27 57-04 | HARNESS     | Duo Balance US | 1   |     |

**N** 333R, 333RJ  
335FR, 335LS, 335Lx, 335RJx, 335Rx.  
IGNITION



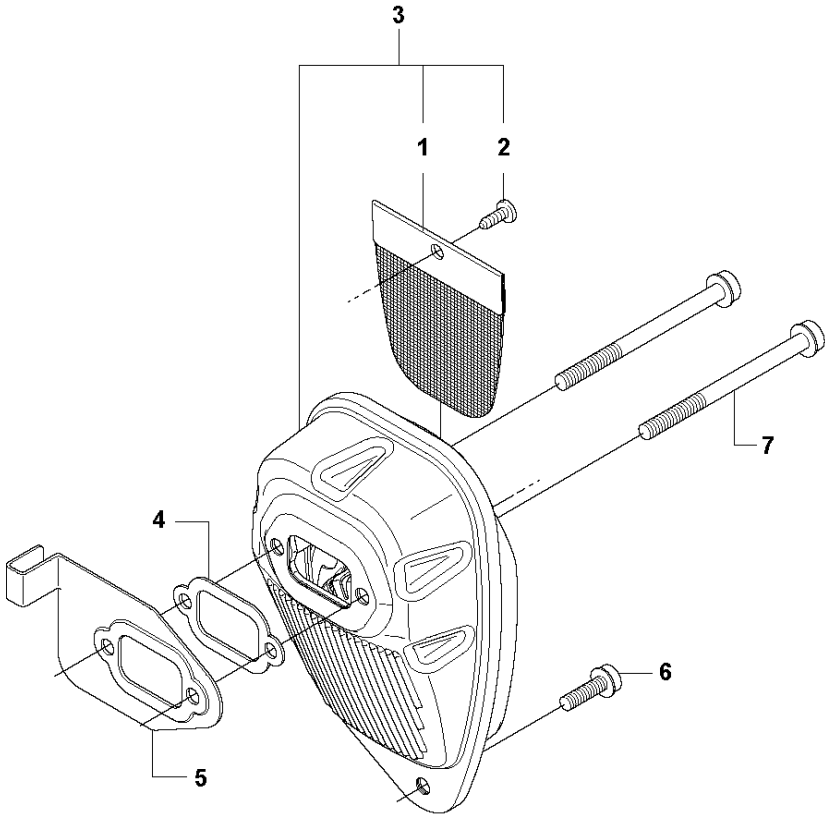


## IGNITION SYSTEM

333 RJ, 2013-06

| Ref | Part no.     | Description         | Remark             | Qty | Kit |
|-----|--------------|---------------------|--------------------|-----|-----|
| 1   | 503 21 66-18 | SCREW IHSCT         |                    | 2   |     |
| 2   | 544 12 70-01 | IGNITION MODULE     |                    | 1   |     |
| 3   | 537 43 43-01 | SPARK PLUG CAP      |                    | 1   |     |
| 4   | 503 23 51-09 | SPARK PLUG          | CH RCJ6Y (Ø=14 mm) | 1   |     |
| 5   | 731 71 16-51 | HEXAGON NUT FLANGED |                    | 1   |     |
| 6   | 537 24 96-01 | FLYWHEEL            |                    | 1   |     |
| 7   | 501 53 16-01 | CABLE               |                    | 2   |     |

**J** 333R, 333RJ  
335FR, 335LS, 335Lx, 335RJx, 335Rx.  
MUFFLER

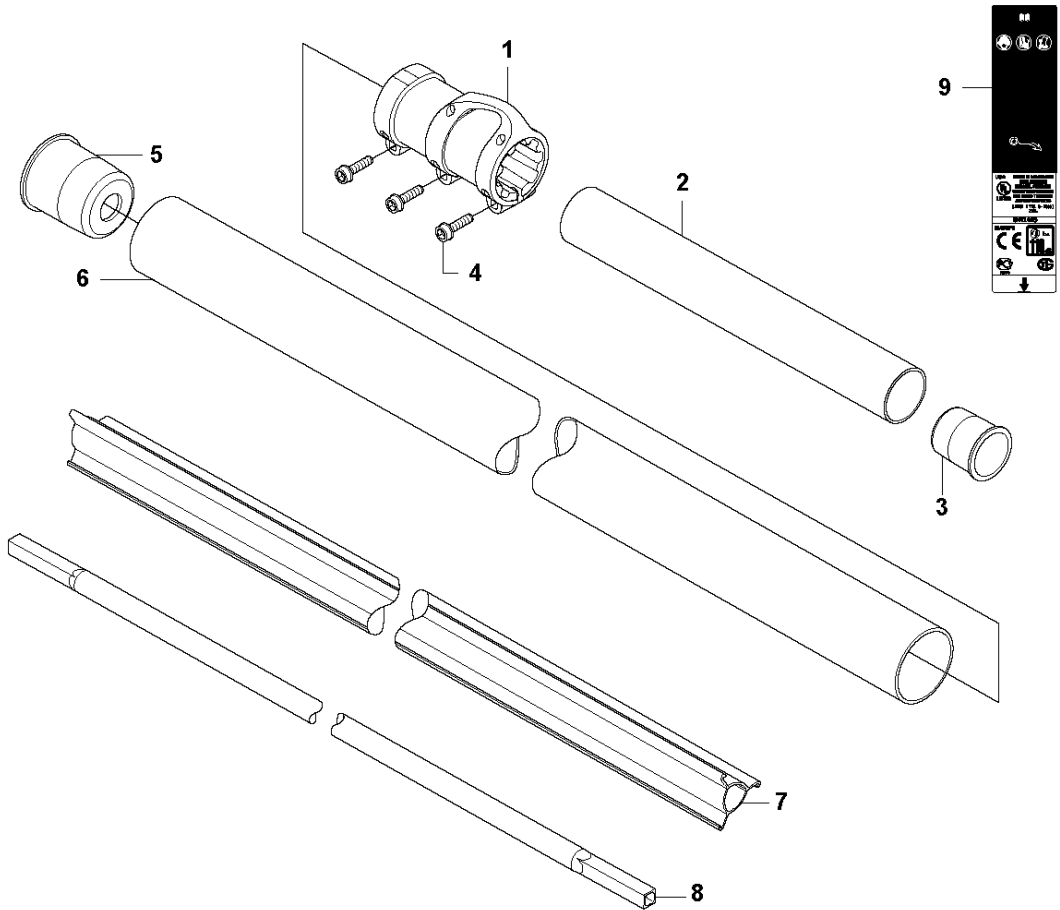


## MUFFLER

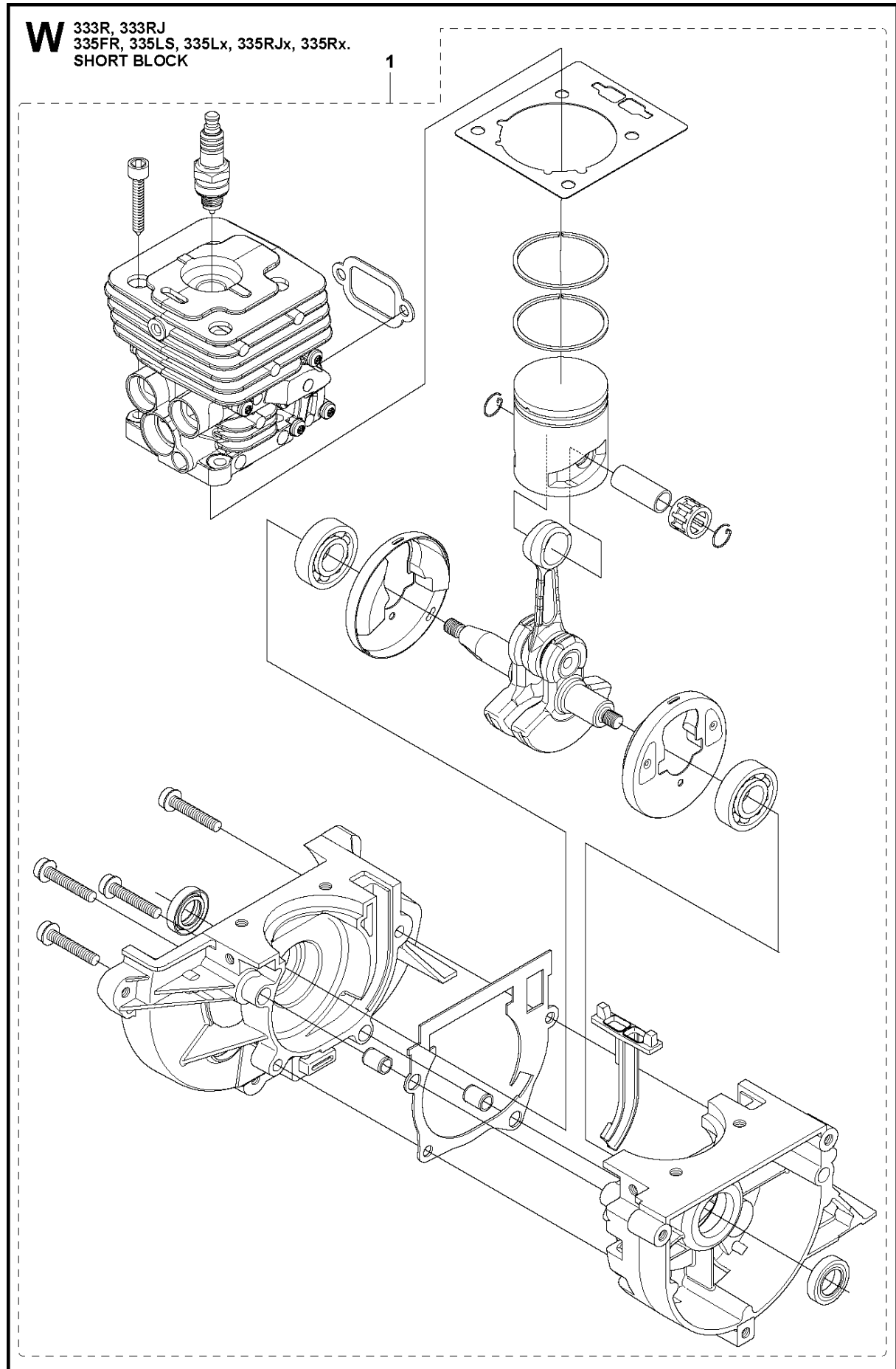
333 RJ, 2013-06

| Ref | Part no.     | Description           | Remark                         | Qty | Kit |
|-----|--------------|-----------------------|--------------------------------|-----|-----|
| 1   | 537 32 47-01 | SPARK ARRESTOR SCREEN |                                | 1   | 3   |
| 2   | 724 12 87-59 | SCREW CRPANM          |                                | 1   | 3   |
| 3   | 544 11 67-01 | MUFFLER ASSY          | 335Rx, 335RJx, 335Lx,<br>335LS | 1   |     |
| 3   | 544 11 67-02 | MUFFLER ASSY          | 333RJ, 333R                    | 1   |     |
| 4   | 537 33 31-01 | GASKET                |                                | 1   |     |
| 5   | 537 34 08-01 | AIR CONDUCTOR         |                                | 1   |     |
| 6   | 503 20 03-20 | SCREW IHSCFM          |                                | 1   |     |
| 7   | 503 20 29-63 | SCREW IHSCFM          |                                | 2   |     |

**B2** 333RJ  
335LS, 335Lx, 335RJx  
SHAFT & SUSPENSION

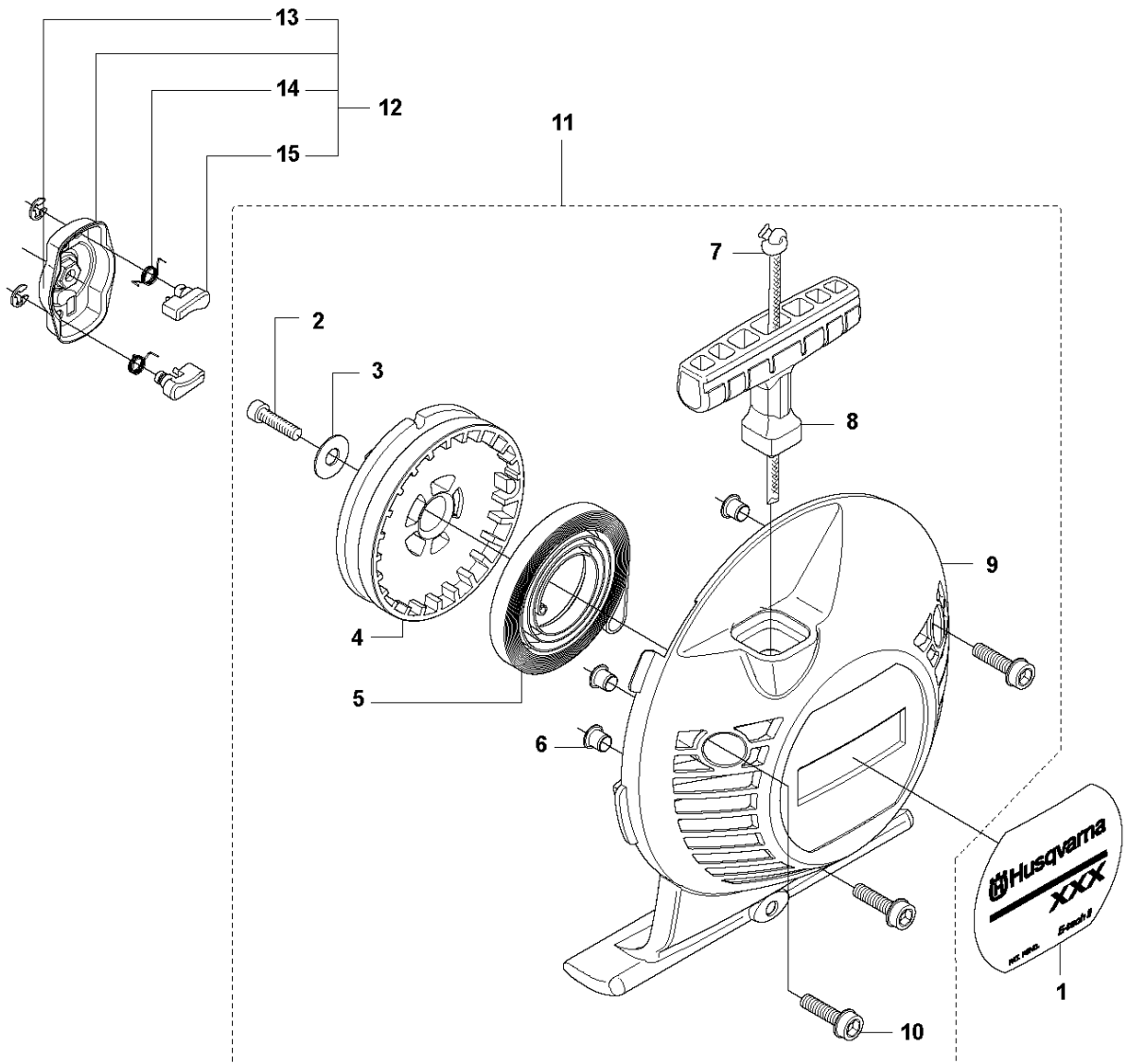


| Ref | Part no.     | Description | Remark                         | Qty | Kit |
|-----|--------------|-------------|--------------------------------|-----|-----|
| 1   | 544 10 18-01 | SLEEVE      | 333RJ, 335RJx, 335Lx,<br>335LS | 1   |     |
| 2   | 537 18 26-10 | TUBE        | Ø = 24mm, L = 330mm            | 1   |     |
| 3   | 537 33 44-02 | SPACER      |                                | 1   |     |
| 4   | 544 25 40-01 | SCREW       |                                | 1   |     |
| 5   | 537 36 02-01 | SPACER      |                                | 1   |     |
| 6   | 537 21 41-02 | TUBE        | Ø = 28mm, L = 1152mm           | 1   |     |
| 7   | 537 31 39-02 | GUIDE       | Ø = 9mm, L = 1115mm            | 1   |     |
| 8   | 537 35 52-01 | DRIVE SHAFT | Ø = 8mm, L = 1527mm            | 1   |     |
| 9   | 537 29 48-01 | LABEL       |                                | 1   |     |



| Ref | Part no.     | Description | Remark | Qty | Kit |
|-----|--------------|-------------|--------|-----|-----|
| 1   | 576 79 68-01 | SHORT BLOCK |        | 1   |     |

**K1** 333R, 333RJ  
335FR, 335LS, 335Lx, 335RJx, 335Rx.  
STARTER



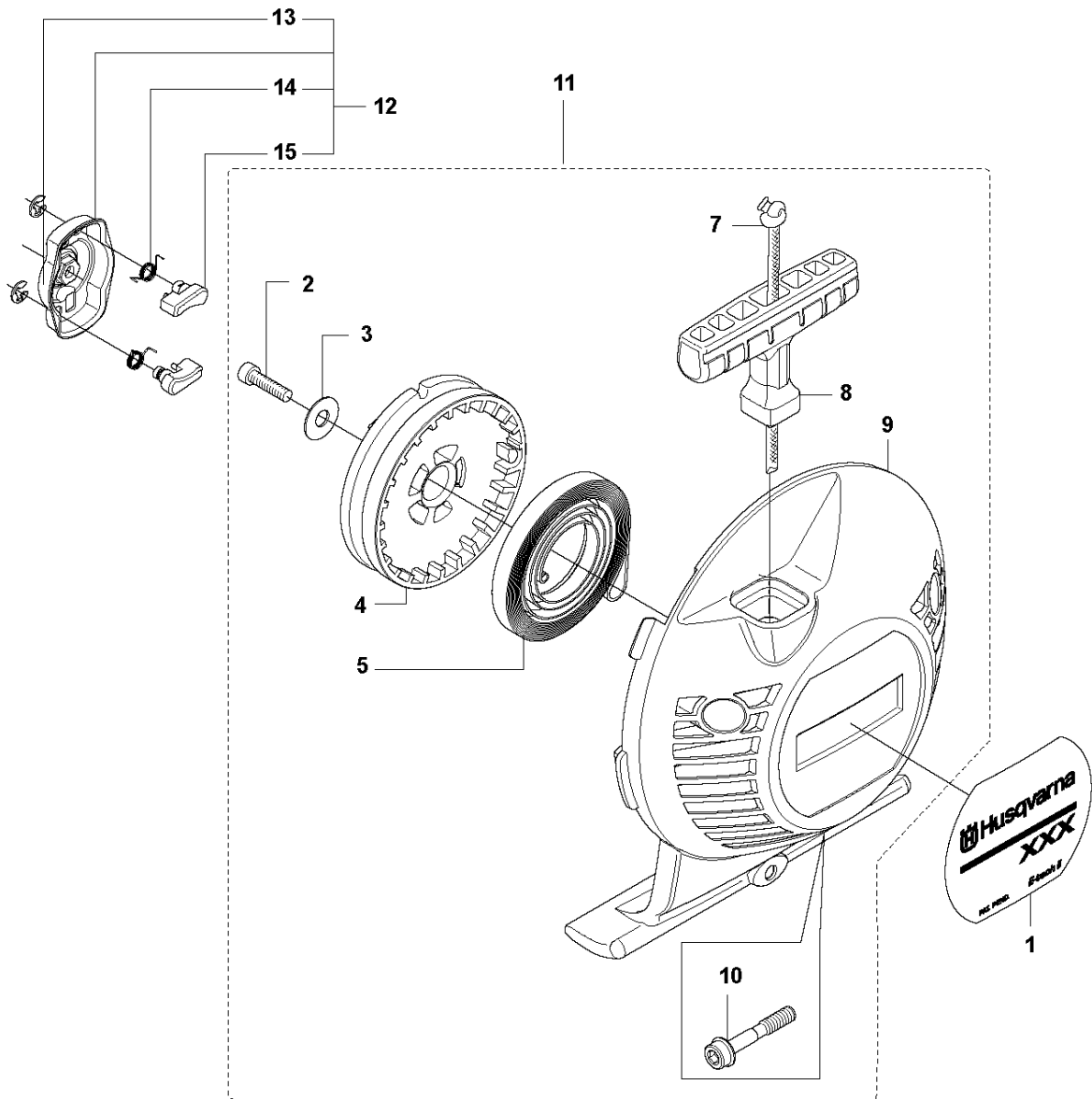


## STARTER

333 RJ, 2013-06

| Ref | Part no.     | Description         | Remark | Qty | Kit |
|-----|--------------|---------------------|--------|-----|-----|
| 1   | 537 32 24-05 | LABEL               | 333R   | 1   |     |
| 1   | 537 32 24-06 | LABEL               | 335Rx  | 1   |     |
| 1   | 537 32 24-09 | LABEL               | 335FR  | 1   |     |
| 1   | 537 32 24-08 | LABEL               | 335LS  | 1   |     |
| 2   | 503 21 79-20 | SCREW IH SCT        |        | 1   | 11  |
| 3   | 535 07 23-01 | WASHER              |        | 1   | 11  |
| 4   | 537 32 50-02 | STARTER PULLEY      |        | 1   | 11  |
| 5   | 503 85 99-01 | RECOIL SPRING       |        | 1   | 11  |
| 6   | 537 37 38-02 | TUBULAR RIVET       |        | 3   | 11  |
| 7   | 505 30 51-25 | STARTER CORD        |        | 1   | 11  |
| 8   | 503 54 39-01 | STARTER HANDLE      |        | 1   | 11  |
| 9   | 544 27 93-01 | STARTER             |        | 1   | 11  |
| 10  | 503 20 03-20 | SCREW IHSCFM        |        | 3   | 11  |
| 11  | 537 21 47-03 | STARTER ASSY        |        | 1   |     |
| 12  | 503 87 33-05 | STARTER PAWL BRIDGE |        | 1   |     |
| 13  | 735 31 08-20 | E-CLIP              |        | 2   | 12  |
| 14  | 503 87 36-01 | SPRING              |        | 1   | 12  |
| 15  | 503 87 35-02 | STARTER PAWL        |        | 2   | 12  |

**K2** 333R, 333RJ  
335FR, 335LS, 335Lx, 335RJx, 335Rx.  
STARTER

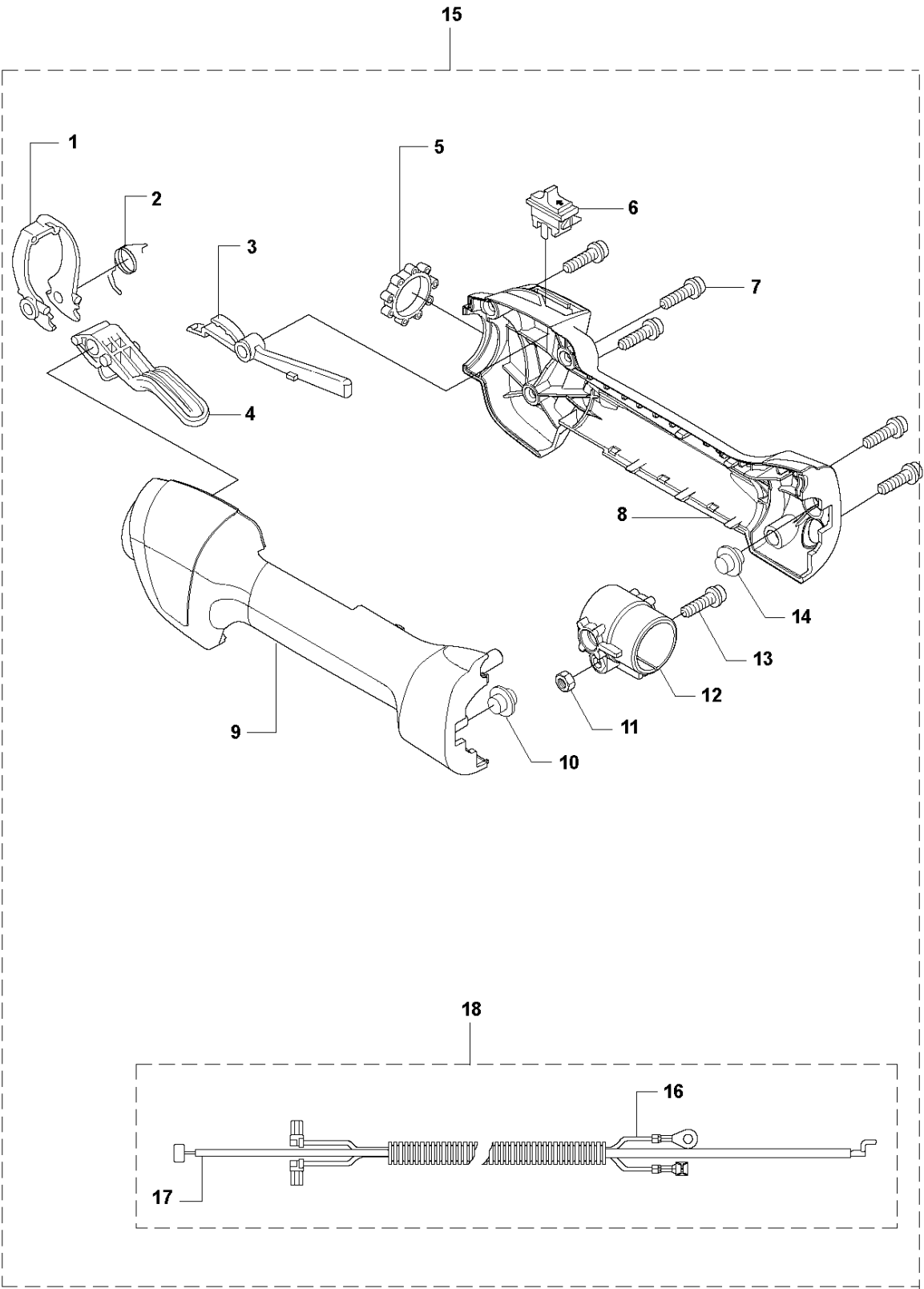


## STARTER

333 RJ, 2013-06

| Ref | Part no.     | Description         | Remark                             | Qty | Kit   |
|-----|--------------|---------------------|------------------------------------|-----|-------|
| 1   | 537 32 24-05 | LABEL               | 333R                               | 1   |       |
| 1   | 537 32 24-06 | LABEL               | 335Rx                              | 1   |       |
| 1   | 537 32 24-09 | LABEL               | 335FR                              | 1   |       |
| 1   | 537 32 24-08 | LABEL               | 335LS                              | 1   |       |
| 2   | 503 21 79-20 | SCREW IH SCT        |                                    | 1   | 11    |
| 3   | 535 07 23-01 | WASHER              |                                    | 1   | 11    |
| 4   | 537 32 50-02 | STARTER PULLEY      |                                    | 1   | 11    |
| 5   | 503 85 99-01 | RECOIL SPRING       |                                    | 1   | 11    |
| 7   | 505 30 51-25 | STARTER CORD        |                                    | 1   | 11    |
| 8   | 503 54 39-01 | STARTER HANDLE      |                                    | 1   | 11    |
| 9   | 544 10 25-02 | STARTER             | Spare part incl. Screws<br>Pos. 10 | 1   | 11    |
| 10  | 573 99 43-05 | SCREW IH SCFMO      | Captive screws                     | 3   | 9, 11 |
| 11  | 537 21 47-07 | STARTER ASSY        |                                    | 1   |       |
| 12  | 503 87 33-05 | STARTER PAWL BRIDGE |                                    | 1   |       |
| 13  | 735 31 08-20 | E-CLIP              |                                    | 2   | 12    |
| 14  | 503 87 36-01 | SPRING              |                                    | 1   | 12    |
| 15  | 503 87 35-02 | STARTER PAWL        |                                    | 2   | 12    |

**F** 333RJ, 335Lx, 335LS, 335RJx  
THROTTLE CONTROLS



## THROTTLE CONTROLS

333 RJ, 2013-06

| Ref | Part no.     | Description         | Remark                         | Qty | Kit    |
|-----|--------------|---------------------|--------------------------------|-----|--------|
| 1   | 503 91 81-01 | THROTTLE LEVER      |                                | 1   | 15     |
| 2   | 544 10 08-01 | RECOIL SPRING       |                                | 1   | 15     |
| 3   | 503 87 80-01 | THROTTLE LOCKOUT    |                                | 1   | 15     |
| 4   | 503 87 79-03 | THROTTLE TRIGGER    |                                | 1   | 15     |
| 5   | 503 96 14-01 | VIBRATION ABSORBER  |                                | 1   | 15     |
| 6   | 537 41 90-01 | SWITCH              |                                | 1   | 15     |
| 7   | 503 21 66-18 | SCREW IHST          |                                | 5   | 15     |
| 8   | 544 23 84-01 | HANDLE HALF         | 333RJ, 335LS                   | 1   | 15     |
| 8   | 544 10 02-02 | HANDLE HALF RIGHT   | 335Lx, 335RJx                  | 1   | 15     |
| 9   | 544 23 85-01 | HANDLE HALF         | 333RJ, 335LS                   | 1   | 15     |
| 9   | 544 10 03-02 | HANDLE HALF LEFT    | 335Lx, 335RJx                  | 1   | 15     |
| 10  | 544 10 17-02 | RUBBER DAMPER       |                                | 1   | 15     |
| 11  | 731 23 14-01 | HEXAGON NUT         |                                | 1   | 15     |
| 12  | 544 11 21-01 | RETAINER            |                                | 1   | 15     |
| 13  | 503 20 03-20 | SCREW IHSCFM        |                                | 1   | 15     |
| 14  | 544 10 17-02 | RUBBER DAMPER       |                                | 1   | 15     |
| 15  | 544 14 36-02 | CONTROL             | 333RJ, 335Lx, 335LS,<br>335RJx | 1   |        |
| 16  | 503 87 85-06 | SHORT CIRCUIT CABLE |                                | 1   | 15, 18 |
| 17  | 544 17 17-02 | THROTTLE WIRE ASSY  |                                | 1   | 15, 18 |
| 18  | 544 14 49-01 | WIRING ASSY         |                                | 1   | 15     |

# Illustrated Parts List - IPL Update



Product Name(s)

**333 R, 333 RJ, 335 FR, 335 RJX, 335 RX, 535 FBX, 535 LS, 535 RJ, 535 RX, 535 RXT, 335 LS, 335 LX, BC2236, CC2236, GC2236**

Description of change

New carburettor, EL36D, replaces EL36C.

|                 | Serial number / Date | Remark |
|-----------------|----------------------|--------|
| Introduced from | 20131400000          |        |
|                 |                      |        |
|                 |                      |        |

| Page Title               | Ref. no | New part no  | Name         | Excl. part no. | Remark |
|--------------------------|---------|--------------|--------------|----------------|--------|
| CARBURET OR              | 1       | 581 16 75-01 | CARBURETTO R | 544 32 56-01   |        |
| CARBURET OR              | 10      | 581 89 95-01 | NOZZLE ASSY  | 537 38 73-01   |        |
| CARBURET OR              | 15      | 503 47 81-01 | SPRING       | 537 02 03-01   |        |
| CARBURET OR              | 17      | 537 37 03-01 | VALVE        | 537 02 11-01   |        |
| CARBURET OR              | 30      | 581 89 93-01 | SCREW        | 537 38 75-01   |        |
| CARBURET OR              | 32      | 537 38 50-01 | CLIP         | 537 41 77-01   |        |
| CARBURET OR              | 34      | 576 74 66-01 | SPRING       | 537 41 78-01   |        |
| CARBURET OR              | 36      | 502 07 84-01 | SCREW        | 503 47 90-01   |        |
| CARBURET OR              | 44      | 544 37 21-01 | SHAFT ASSY   | 537 38 74-01   |        |
| CARBURET OR & AIR FILTER | 8       | 581 16 75-01 | CARBURETTO R | 544 32 56-01   |        |

Comments

|  |
|--|
|  |
|--|